

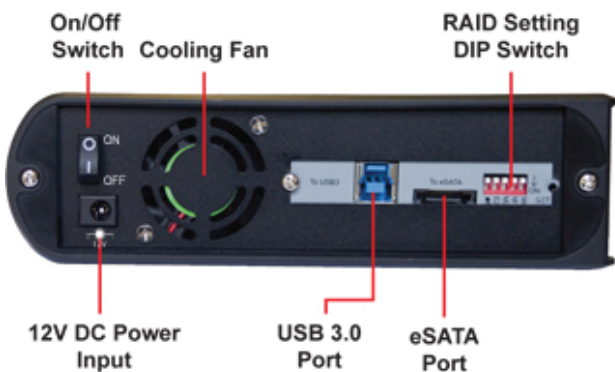
INTRODUCTION

This Sapphire 5-slot CF (Compact Flash) drive is a unique and flexible platform for creating your own solid state drive (SSD) using commercially available high-speed CF card. The five CF cards can be configured to appear as five independent drives. They can set up as a high performance, fault tolerant RAID group or to form a large capacity solid state drive. Supporting high-speed 6G eSATA or USB 3.0 interface, the Sapphire CF drive can be connected to a computer via a single eSATA or USB cable. When connecting via eSATA, the Sapphire CF drive can be used as a bootable device. It is the ideal solution for improving storage performance, lowering the power consumption and improving the overall system reliability for application environments with frequent shocks and vibrations.

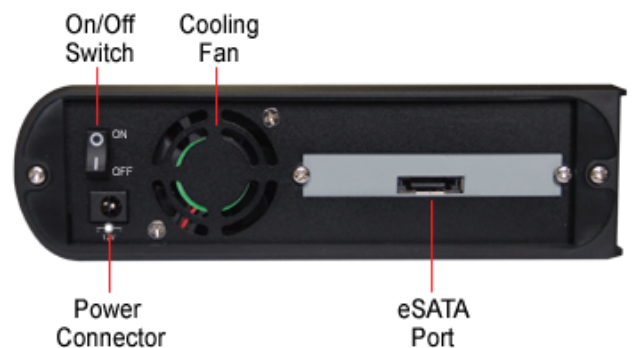


Rear View

Model: S5CFEU3



Model: S5CFES6



FEATURES

- Install up to five (5) CF* (Compact Flash) cards
- CF cards are added or removed from each slot without any special tool
- Choice of models with eSATA port or eSATA and USB 3.0 / 2.0 port
- LED to show IO activity on each CF card
- Low power consumption, ~ 1 watt excluding the CF media
- OS independent, can be used on any system
- Complete Plug and Play, no software driver required

Model: S5CFEU3

- Five CF cards are connected to an integrated Hardware Port Multiplier HPM-XU (AD5HPMREU) inside the unit
- Connect to system via eSATA and USB 3.0/2.0 port
- CF cards can be configured as RAID0 (Striping), RAID1 (Mirroring), RAID 5 (Parity), RAID10 (Mirrored Striped), JBOD (Concatenation), Clone Mode (N-Way Mirror) using built-in hardware RAID or as five individual drives without RAID
- Individual drive setting requires connecting to Port Multiplier compatible controller or USB port
- RAID setting via software utility or via dip switches on the back of the unit
- RAID diagnostic via utility software
- maximum throughput up to 3 Gbps

Model: S5CFES6

- Five CF cards are connected to an integrated 5-Port 6G Port Multiplier (AD5SAPM6G) inside the unit
- Connect to system via eSATA port
- CF cards appear as five independent drive to the OS
- The five CF cards can form a RAID using the RAID utility from the OS or the host controller
- Must be connected to PM compatible controller (when connect to non-PM compatible controller, only first CF card can be detected)
- Maximum throughput up to 6 Gbps

* Old CF cards that operates in PIO mode only is not supported in this device

SPECIFICATIONS

- Five CF cards slots in the front
- LEDs
 - For media access on each slot
 - For device power
- Connectors on back:
 - 12V DC power input jack
 - eSATA connector for model S5CFASES6
 - eSATA and USB 3.0 B Female connectors for model S5CFASEU3
- Power adapter: 110/240V AC/DC 12V 3A
- Low noise 40 x 40 mm cooling fan
- Dimensions (L x W x H): ~ 9.88 x 6.88 x 2.00 in (251 x 175 x 50.8 mm)
- Weight: ~ 2.65 lb (1.2 Kg)
- Operating temperature and humidity: 0 C to + 60°C, 5 - 90 % RH
- Storage temperature and humidity: -20 °C to + 60 °C , 5 - 95% RH non condensing