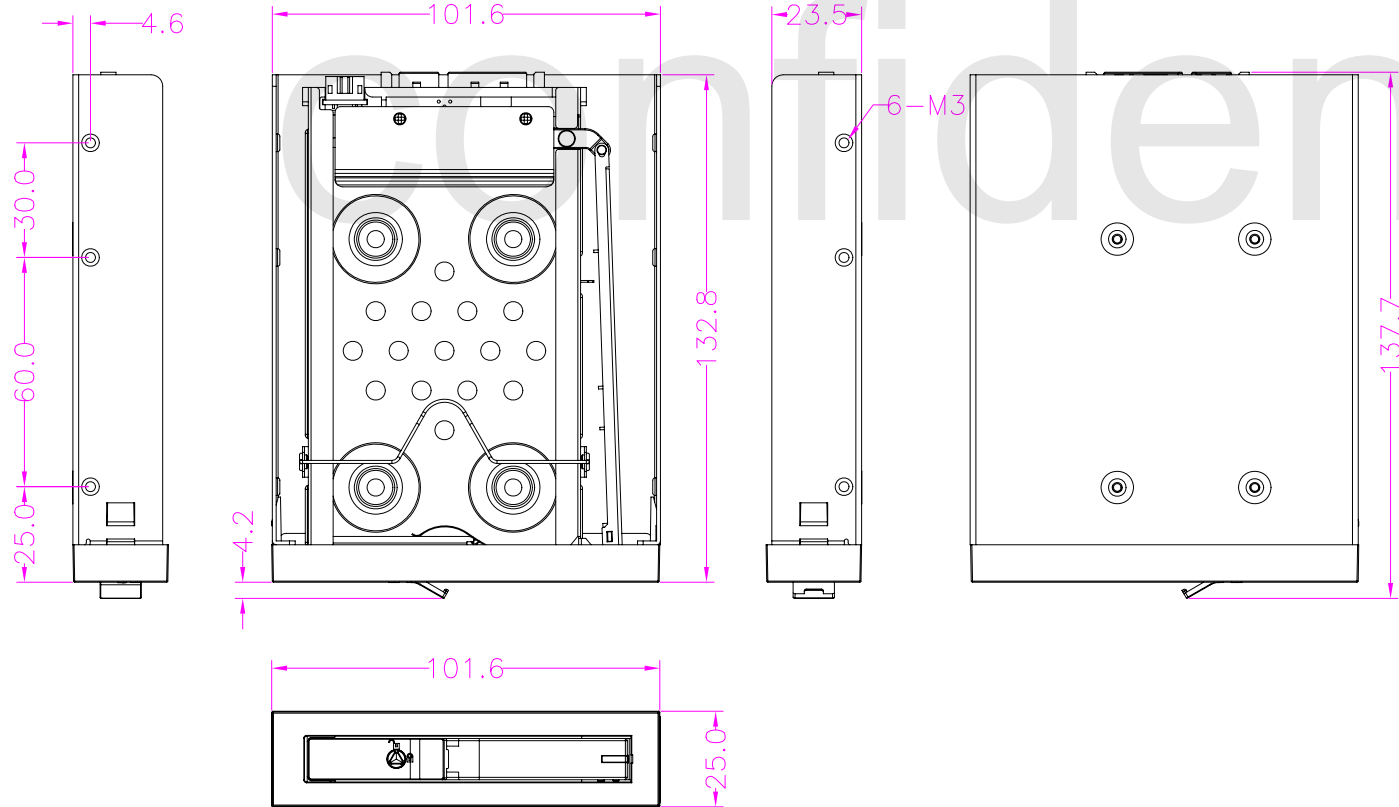
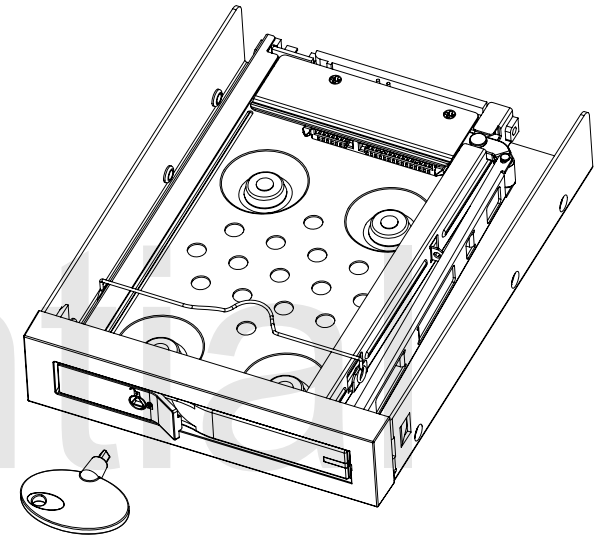
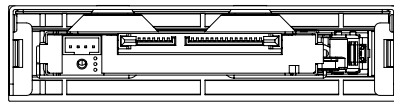


Rev	ECN NO.	DESCRIPTION	MAIN	MINOR	DATE	APPD.
A		ISSUED		YES		



NOTE:

- 1、硬碟抽取盒
- 2、规格说明
- 塑胶材料: PC; ABS
- U框: SPCC 1.0mm
- 托盘, 门弹片: SUS301
- 上盖片: SUS430
- 钥匙, 卡钩: 锌合金
- 3、表面处理、色彩
- 塑胶: 面板——PC直接射出黑色
- 门——ABS直接射出黑色
- 横梁——ABS直接射出乳白色
- 门把手——ABS直接射出黑色(烤漆银色)
- U框: 喷粉、黑色
- 三角锁: 镀亮铬 钥匙: 银色
- 防震垫: Silicone 40° 蓝色
- 4、LED: 发蓝光
- 5、配件: SATA数据线*1, 转接线*1
- 螺丝: 3*6PWM*4 钥匙*1
- 说明书*1, 硬碟排针塞*1

X.	±1.00	X.*	±1.50°
.X	±0.50	.X*	±1.00°
.XX	±0.25	.XX*	±0.50°
.XXX	±0.05	.XXX*	±0.10°



UNIT'S: MM

MAT'L:

FINISH:

Q'TY:

NAME (INTENDED USE):

PART NO. (INTENDED USE):

APPD:

CHKD:

CHKD:

DRAW:

DATE:

DATE:

DATE:

DATE:

Addonics Technologies

AE25SNSP

DWG NO:

Rev

SCALE:

SHEET: /

These drawings and specification are the property of Addonics Technologies, Inc. and shall not be reproduced, copied or used in any manner without the prior written consent from Addonics Technologies, Inc.

DATE:

DATE:

DATE:

DATE: