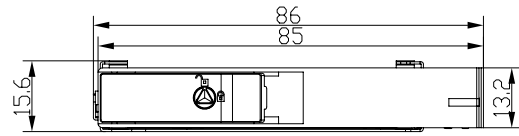
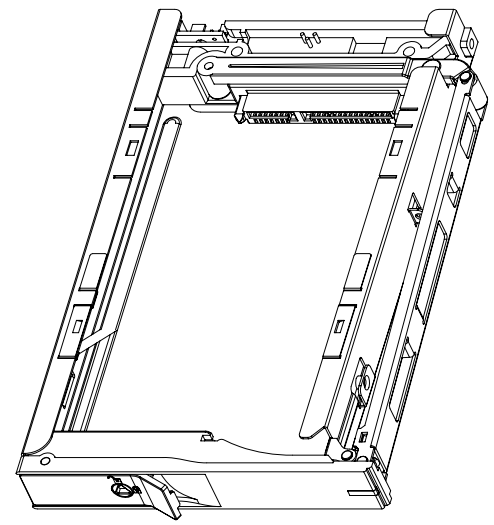
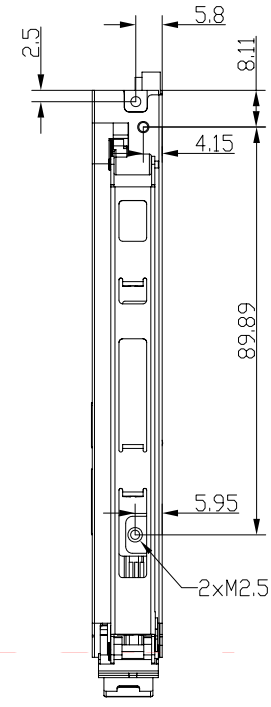
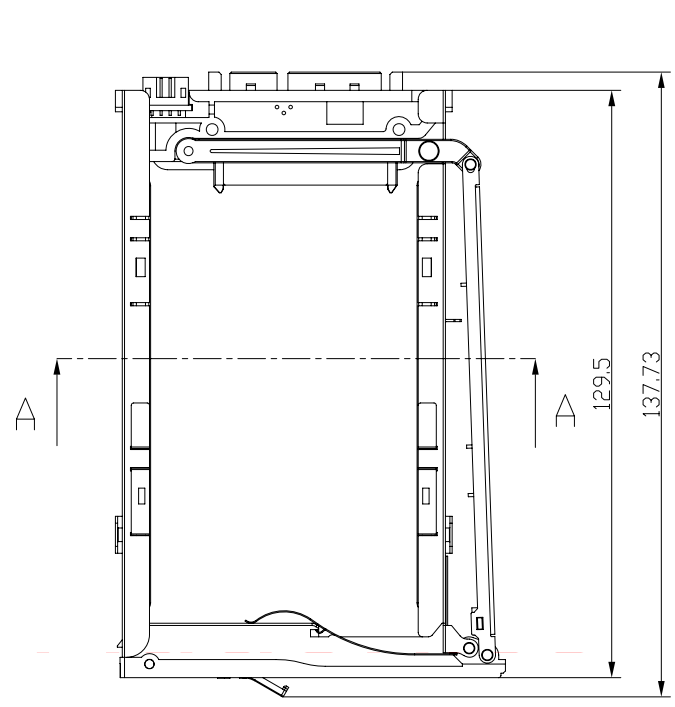
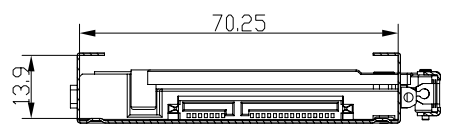


Rev.	Type	Description	App'd



Front



Rear A-A

UNLESS OTHERWISE SPECIFIED TOLERANCE .XX± 0.3 .X± 0.5 ANGLE ± 1°	APPROVED BY:		Addonics Technologies, Inc			
	CHECKED BY:					
	DRAWING BY: Minco JUL 15 2011		TITLE:	OM25SNSA		
	MATERIAL:		PART NO:			
DO NOT SCALE DRAWING	FINISH:		DWG NO:			
SHEET 1 OF 1	SIZE: A4	PROJECTION:		UNIT: MM	SCALE: 1:1	REV: 1.0