

User Guide

5x1 External Port Multiplier (AD5ESAPM-E)

www.addonics.com

v6.1.11

Technical Support

If you need any assistance to get your unit functioning properly, please have your product information ready and contact Addonics Technical Support at:

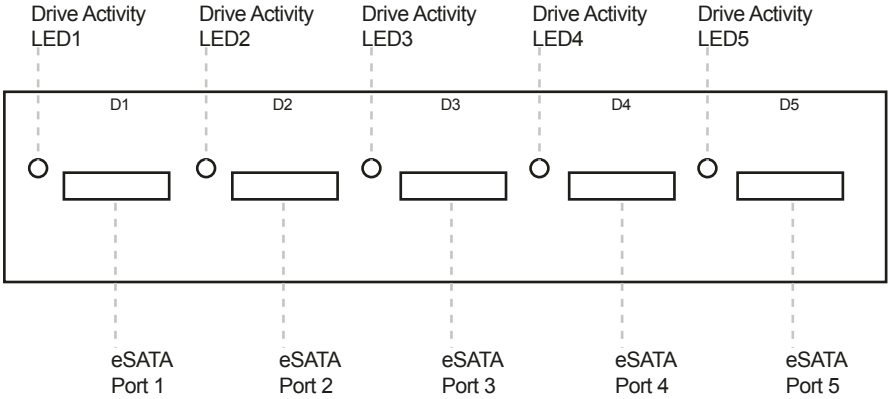
Hours: 8:30 am - 6:00 pm PST

Phone: 408-453-6212

Email: <http://www.addonics.com/support/query/>

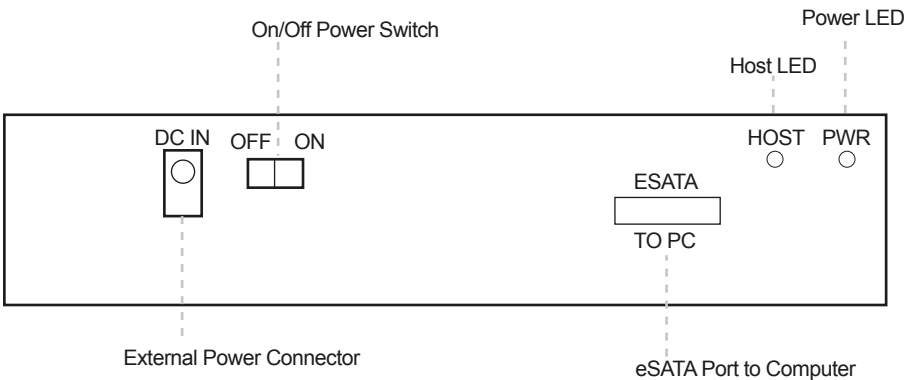
Hardware Installation Guide

D1 – D5: Refers to Device 1 - 5



Drive Activity LED: When a drive is connected to the eSATA port, the green LED will light up. If the drive is being accessed, the green LED will blink.

eSATA Ports: This is where you connect your eSATA devices (like your eSATA drive enclosure)



External Power Connector: The external port multiplier comes with its power adapter. This is where you connect the plug of the adapter and the other end to the wall.

Switch: This turns the port multiplier ON or OFF.

eSATA Port: This is where you connect your eSATA cable which is connected to an eSATA host controller in your system.

Host LED: If an eSATA cable is connected to the eSATA port, the green LED will light up. If there is activity on the drives, the green LED blinks.

Power LED: If the external port multiplier is turned ON, the green LED will light up.

Using the External Port Multiplier

Note: The external Port Multiplier will only work with Port Multiplier aware eSATA host controllers. It is compatible with eSATA host controllers using the Silicon Image Chip SiI3124 & SiI3132.

When the external port multiplier (PM) is connected to an eSATA Host controller with SiI3124 or SiI3132 chip, in the RAID BIOS of the host controller, you will only see one drive and that is the drive connected to eSATA port 1 on the external Port Multiplier.

All the eSATA drives connected to the external PM will show in the SATARAID5 Array Manager. For non-raid Silicon Image controller or using USB converters, the drives will be detected on the operating system.

Step 1: Connect the eSATA cable that is connected to a PM-aware eSATA host controller to the eSATA port (eSATA to PC) located at the back of the external PM.

Step 2: Connect your eSATA drive enclosure to the eSATA port 1 (D1) on the front of the external PM using an eSATA cable. For additional eSATA drive enclosures, use ports 2 – 5.

Step 3: Connect the plug of the power adapter to the power connector located at the back of the external PM.

Step 4: Turn ON all your eSATA devices.

Step 5: Turn ON the external PM using the switch at the back.

Step 6: For eSATA raid controllers using Silicon Image chips, use the SATARAID5 array manager to configure the external drives. For non-raid Silicon Image controller or using USB converters, the drives will be detected on the operating system.

CONTACT US

www.addonics.com

Phone: 408-573-8580

Fax: 408-573-8588

Email: <http://www.addonics.com/sales/query/>