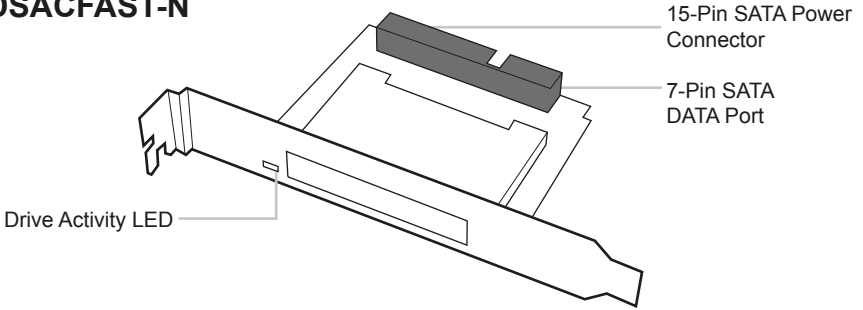
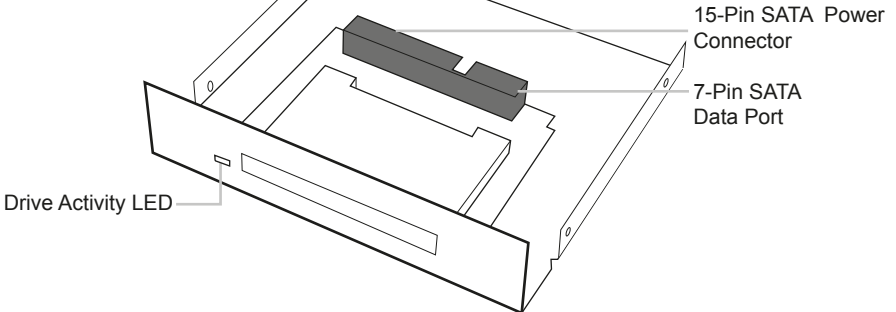


ADSACFAST-N



ADSACFASTB



Technical Support

If you need any assistance to get your unit functioning properly, please have your product information ready and contact Addonics Technical Support at:

Hours: 8:30 am - 6:00 pm PST

Phone: 408-453-6212

Email: <http://www.addonics.com/support/query/>

Hardware Installation:

ADSACFAST-N

Step 1

Connect 15-pin SATA power cable to the power connector on the adapter. This will provide power to the adapter and the CFAST card.

Step 2

Connect a SATA cable to the SATA connector on the adapter and the other end to the SATA controller port.

Step 3

Start the Computer.

Note: If you insert the CFAST card while your system is ON and it does not get detected, probably your SATA host controller does not support hot swap.

ADSACFASTB

Step 1

Connect 15-pin SATA power cable to the power connector on the adapter. This will provide power to the adapter and the CFAST card.

Step 2

Connect a SATA cable to the SATA connector on the adapter and the other end to the SATA controller port.

Step 3

Start the Computer.

Note: If you insert the CFAST card while your system is ON and it does not get detected, probably your SATA host controller does not support hot swap.

CONTACT US

www.addonics.com

Phone: 408-573-8580

Fax: 408-573-8588

Email: <http://www.addonics.com/sales/query/>