

User Guide

Slim ATAPI SATA to USB 2.0/1.1 Converter (ADSSSAU2)

www.addonics.com

v7.1.11

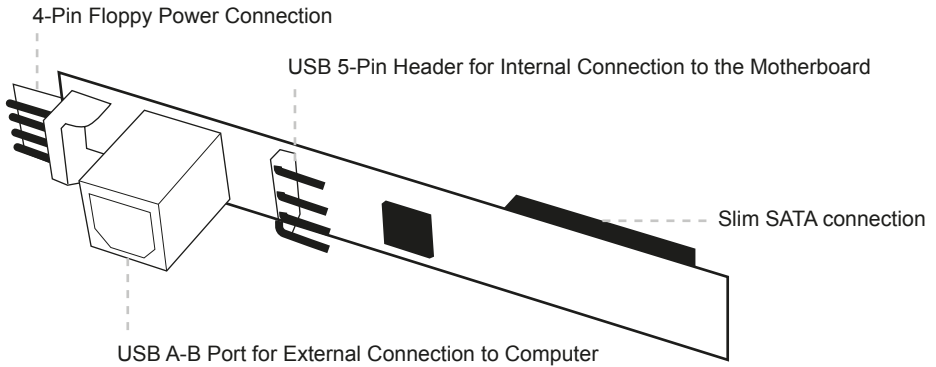
Technical Support

If you need any assistance to get your unit functioning properly, please have your product information ready and contact Addonics Technical Support at:

Hours: 8:30 am - 6:00 pm PST

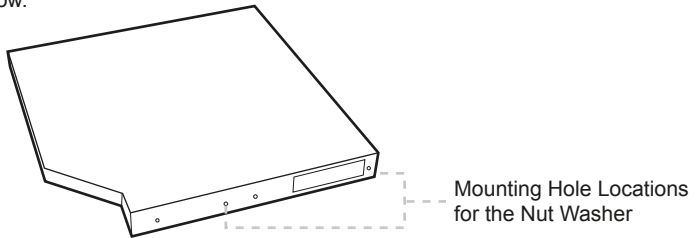
Phone: 408-453-6212

Email: <http://www.addonics.com/support/query/>



Installation Instructions

1. Screw the nut washer into the screw holes on the back of the slim SATA optical drive as shown below.



2. Attach the slim SATA to USB Converter (ADSSSAU2) onto the slim SATA optical drive connector.
3. Secure the Converter onto the optical drive using the PCB mounting screws provided.
4. Attach the USB 5-pin header or USB A-B cable onto the ADSSSAU2 for data connection, and the 4-pin floppy power cable to power the unit.

Reference for USB 5-Pin Header Pin Assignment

Pin	Name	Cable Color	Description
1	VCC	Red	+5V
2	D-	White	Data -
3	D+	Green	Data +
4	GND	Black	Ground

CONTACT US

www.addonics.com

Phone: 408-573-8580

Fax: 408-573-8588

Email: <http://www.addonics.com/sales/query/>