

# User Guide

## Multi-Media Bay (AEMMBY)

[www.addonics.com](http://www.addonics.com)

v7.1.11

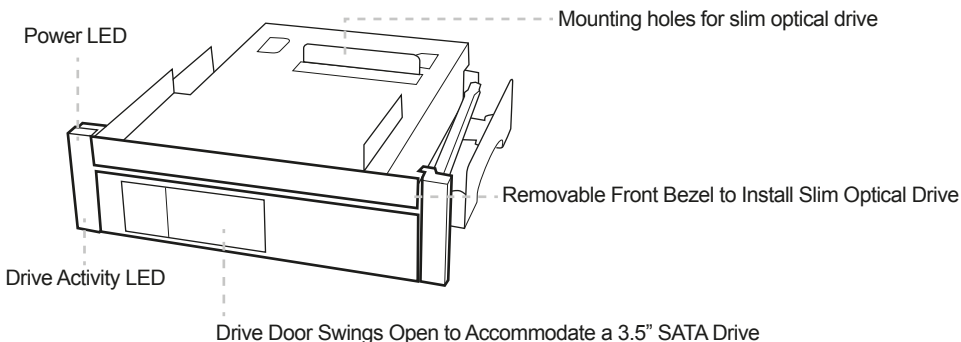
### Technical Support

If you need any assistance to get your unit functioning properly, please have your product information ready and contact Addonics Technical Support at:

**Hours: 8:30 am - 6:00 pm PST**

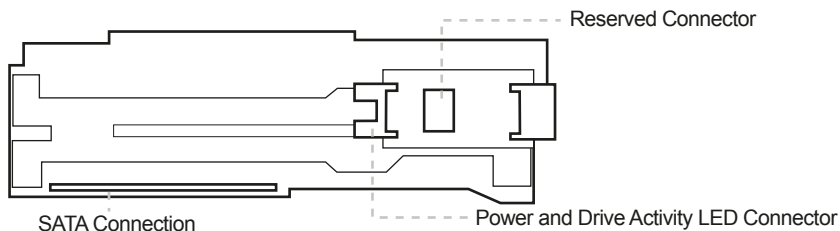
**Phone: 408-453-6212**

**Email: <http://www.addonics.com/support/query/>**



## Installation of Slim Optical Drive:

1. Remove the slim bay front panel.
2. Slide the slim optical drive into the slot.
3. Secure the slim optical drive by screwing it onto the mounting holes located at the back of the slim bay.



## Cable Connections for Multi-media bay:

1. A SATA power & data Y-cable is provided with the multi-media bay. Connect this cable to the SATA connection at the back of the bay.
2. The SATA power & data Y-cable has a third connector. Attached this connector to the power and drive activity LED connector as labeled above.

If this connector is not connected, the power & drive activity LEDs located on the front of the multi-media bay will not function.

# CONTACT US

**www.addonics.com**

Phone: 408-573-8580

Fax: 408-573-8588

Email: <http://www.addonics.com/sales/query/>