

User Guide

Multi-Media Bay (AEMMCFBY)

www.addonics.com

v5.1.11

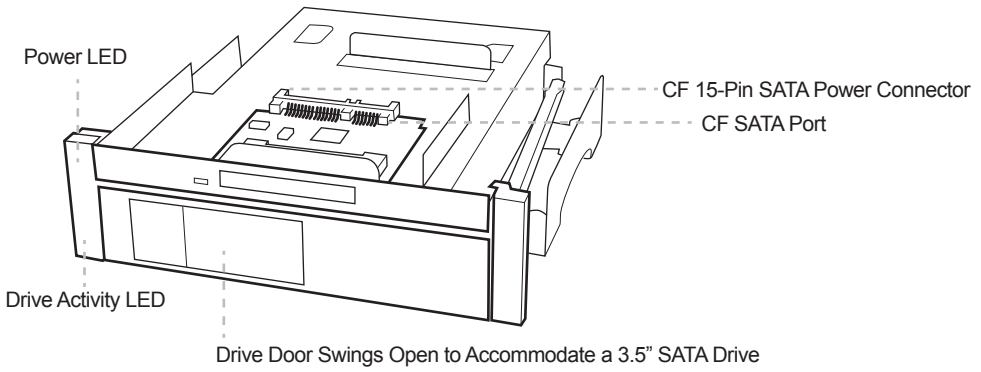
Technical Support

If you need any assistance to get your unit functioning properly, please have your product information ready and contact Addonics Technical Support at:

Hours: 8:30 am - 6:00 pm PST

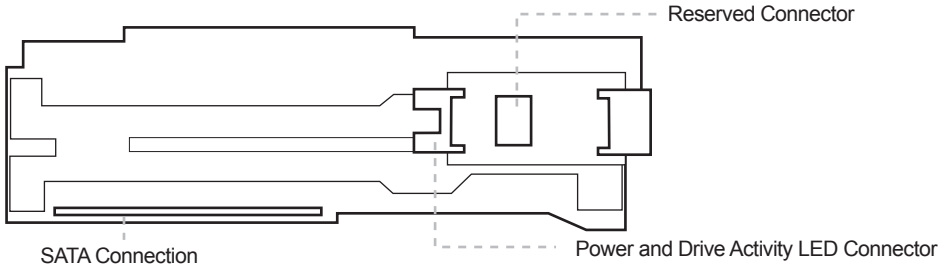
Phone: 408-453-6212

Email: <http://www.addonics.com/support/query/>



Cable connections for CF reader:

1. Plug-in the SATA cable into a SATA port.
2. Connect a 15-pin SATA power connector from the power supply to the 15-pin SATA power on the CF reader.



Cable Connections for Multi-media bay:

1. A SATA power & data Y-cable is provided with the multi-media bay. Connect this cable to the SATA connection at the back of the bay.
2. The SATA power & data Y-cable has a third connector. Attached this connector to the power and drive activity LED connector as labeled above.

If this connector is not connected, the power & drive activity LEDs located on the front of the multi-media bay will not function.

CONTACT US

www.addonics.com

Phone: 408-573-8580

Fax: 408-573-8588

Email: <http://www.addonics.com/sales/query/>