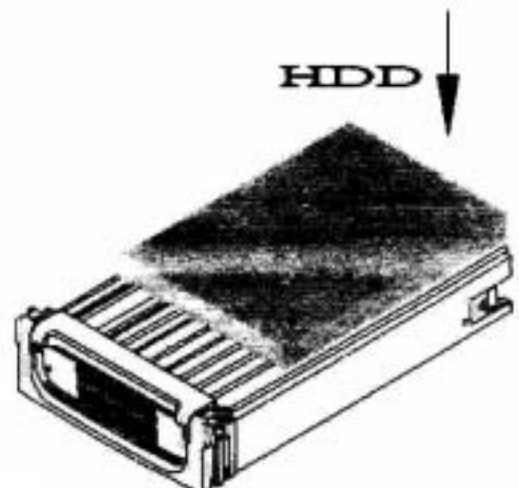
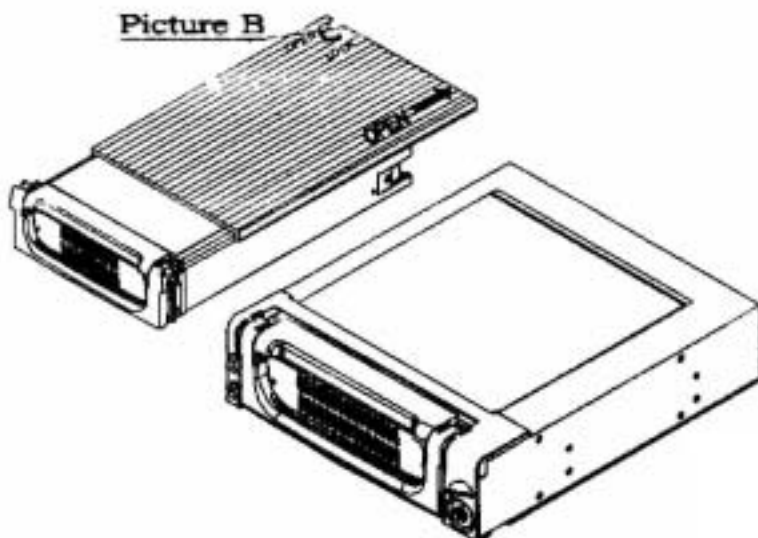
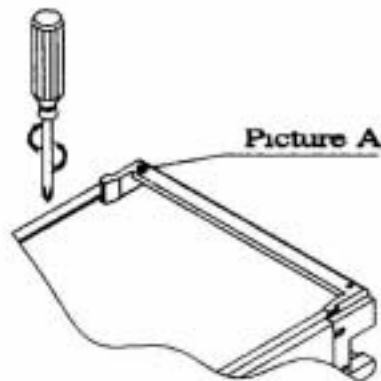


Addonics Serial ATA Combo Hard Drive II

User's Manual

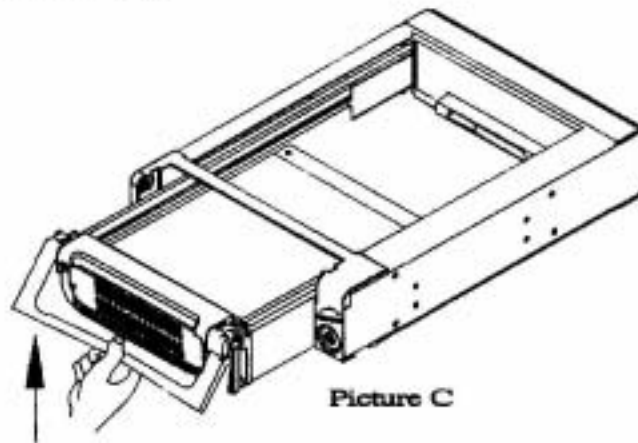
Features of product ---

- Aluminum Frame, Aluminum cover
- Interface: Serial ATA 1.0
- High performance transfer rate upto 150MB/s
- Plug & play, hot swappable
- Point to point, free from master/slave setting
- SATA 15Pin & 4Pin Power connectors
- Front Fan x 1, Dust resistant door
- 2 LED for Power & HDD access(reserved for external connection)
Note: SATA HD has no LED indication from itself , LED has to be connected to the motherboard.
- Power Control & Keylock design
- Magic Handle—Auto In/Out
- Color for choice: black or beige
- Dim: 188(L) X 146(W) X 42(H) mm

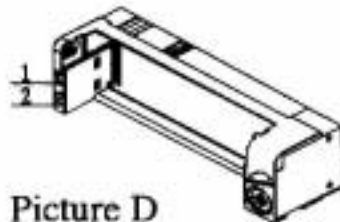


Magic Handle—Auto In/Out (see picture C)

1. Power LED: Power on, LED indicates Green. (see picture D)
2. Amber LED blinking while HDD access.



Picture C



Picture D

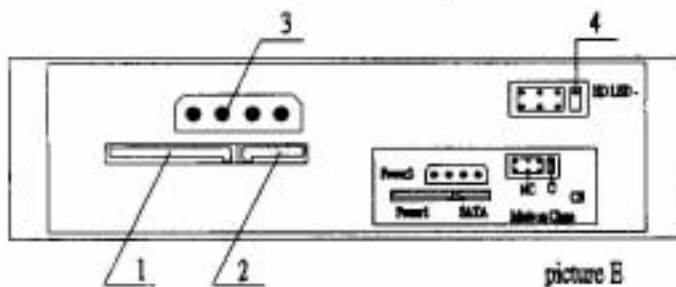
★ keylock

OPEN

LOCK

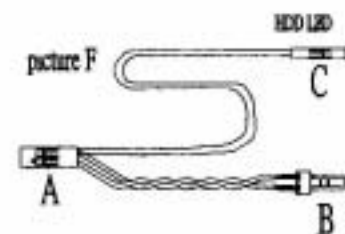


Back View (Picture E)



picture E

Access LED wiring (Picture F)



1. 15pin Serial ATA Power connector (Pic.E-1)

If your power is from SATA 15pin connector, connect it to the 15pin connector

2. 7pin Serial ATA Signal connector (Pic.E-2)

3. 4pin Power connector (Pic.E-3)

If your power is not from SATA 15pin connector, then, use the 4pin power connector, the 4pin power will automatically be convert to SATA power.

4. External HDD Access pin connections--

1st set Pins: HDD access connection (Note: "+" and "-" position). See it from motherboard manual.

[2nd ~ 4th sets Pins :Reserved]

How to connect (See Picture F)

Connect to pins on the motherboard (wire white color is "-"), (see picture F-A)

HD LED (to the computer LED), (see picture F-B)

Connect to HDD pins on the mobile rack (see picture F-C, picture E -4).