

User Guide

Diamond Drive Cartridge System

DDCSSAS / DDCSIS

DDCSSAU / DDCSIU

www.addonics.com

v4.1.11

Technical Support

If you need any assistance to get your unit functioning properly, please have your product information ready and contact Addonics Technical Support at:

Hours: 8:30 am - 6:00 pm PST

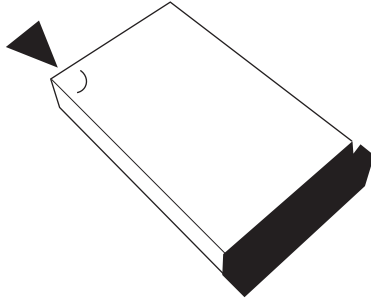
Phone: 408-453-6212

Email: <http://www.addonics.com/support/query/>

Hardware Installation Guide

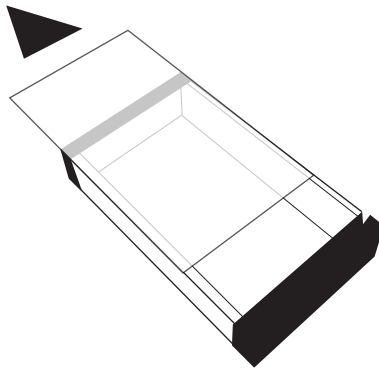
Step 1

Use a Philips screwdriver to turn the cover securing screw into the “OPEN” position.



Step 2

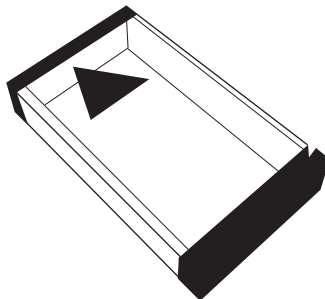
Slide the aluminum cover towards the back end of the Diamond and remove it.



Step 3

For SATA Drive

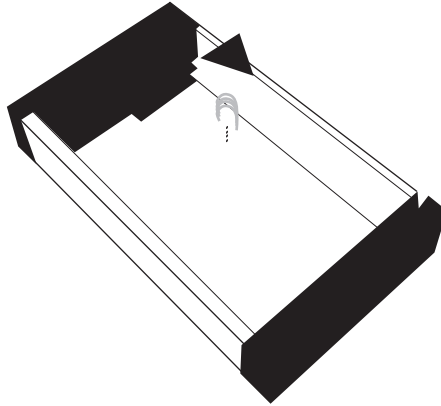
Carefully place the SATA hard drive with the label facing up into the Diamond enclosure. Push the hard drive towards the back end to secure the drive connectors onto the Diamond enclosure's SATA connector.



For IDE Drive

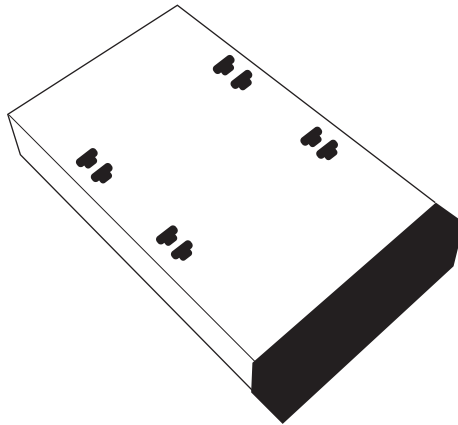
Note: Set up your IDE hard drive as Master device

Connect the 4-Pin Molex cable to the power connector on the IDE hard drive. Carefully place the IDE hard drive with the label facing up into the Diamond enclosure. Push the hard drive towards the back end to secure the drive connectors onto the Diamond enclosure's IDE connector.



Step 4

Turn the Diamond enclosure over with the hard drive mounting holes facing up. Use the included flat head screws to secure the hard drive onto the bottom of the enclosure and turn in the screw to the "LOCK" position.



Cable Connections

Model: DDCSSAS & DDCSIS

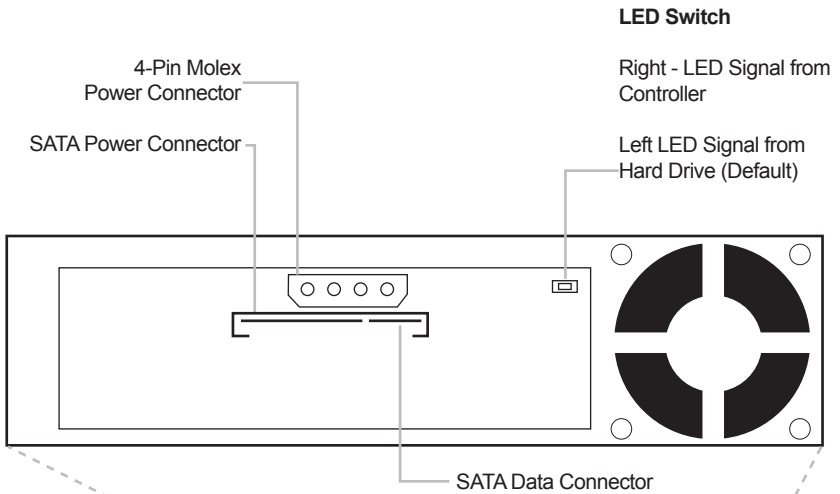
Power: Use either the 4-pin Molex or the 15-pin SATA power connector. Do not use both power sources simultaneously.

Data: Connect the SATA cable to the SATA connector located at the back of the drive cradle and the other end to the SATA connector on your SATA host controller or onboard SATA port.

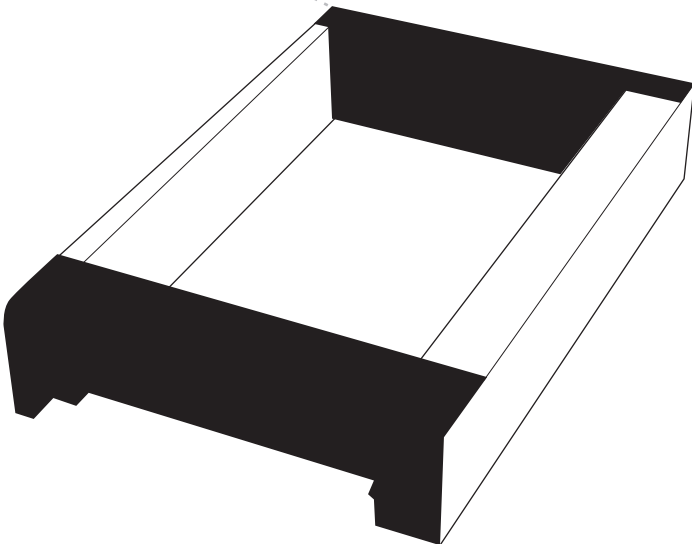
LED cable: Only needed if you want to get drive access signal from the SATA controller. Use the LED cable to connect the LED pin located at the back of the cradle (beside the LED switch) to the LED jumper pins on your SATA host controller or onboard SATA port to enable the drive activity LED. Factory default, LED signal coming from hard drive.

Powering On Drive Cradle: To power on the drive cradle, slide in the Diamond cartridge and using the key (supplied), turn the cradle lock located at the front of the cradle to the LOCK position. This will provide power as indicated by the green LED lighting up and secure the cartridge.

Diamond SATA Drive Cradle



*Use either the 4-Pin Molex or the SATA Power Connector. Do not use both power sources simultaneously



Model: DDCSSAU & DDCSIU

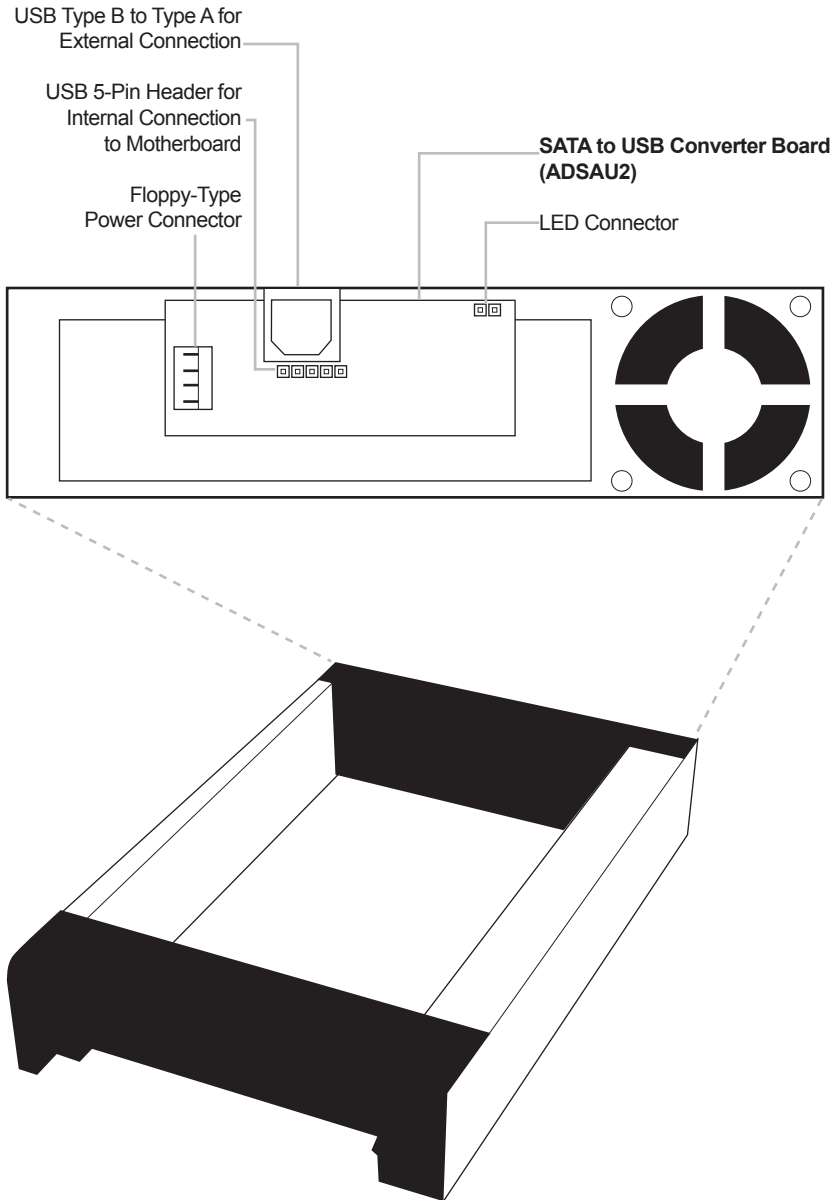
Power: Using the 4-pin floppy connector of the Y-cable, connect it to the floppy-type power connector on the converter. To provide power for the y-cable, connect it to one of your desktop's 4-pin molex cable.

Data: Internal Connection - Use the USB 5-pin header cable to connect to the 5-pin connection on the converter located below the USB Type B connector to the 5-pin USB connection on your motherboard. **External Connection** - Use the USB Type A-B data cable to connect the converter to the USB port on your system.

LED cable: Only needed if you want to get drive access signal from the SATA to USB2.0 converter. Use the LED cable to connect the LED pin located at the back of the cradle (beside the LED switch) to the LED jumper pins on the SATA to USB2.0 converter to enable the drive activity LED.
Factory default, LED signal coming from hard drive.

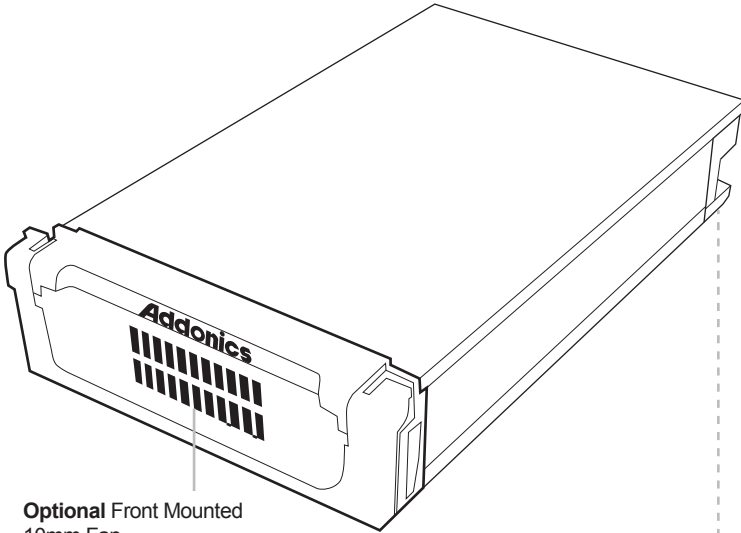
Powering On Drive Cradle: To power on the drive cradle, slide in the Diamond cartridge and using the key (supplied), turn the cradle lock located at the front of the cradle to the LOCK position. This will provide power as indicated by the green LED lighting up and secure the cartridge.

Diamond USB Drive Cradle



Diamond Enclosure Cable Connections

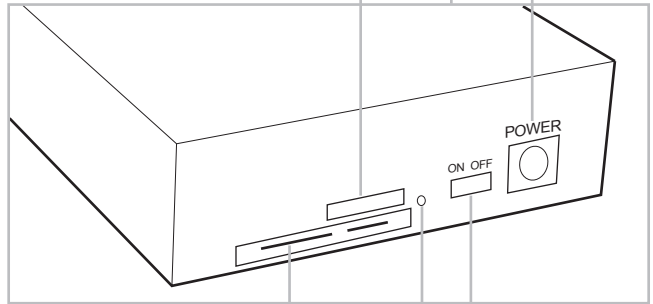
Diamond Serial ATA Enclosure



Optional Front Mounted
10mm Fan

Mini-Din
Power Connector

eSATA Connector for Connection to eSATA Port



Direct SATA Bridge for Connection to Diamond Drive Cradle

Power and Drive Activity LED from Hard Drive

Power Switch When Using
Enclosure as an External Drive

CONTACT US

www.addonics.com

Phone: 408-573-8580

Fax: 408-573-8588

Email: <http://www.addonics.com/sales/query/>