

**Addonics**  
TECHNOLOGIES

# User Guide



## Blu-Ray / DVD / CD Duplicator Subsystem (DDUSAS)

[www.addonics.com](http://www.addonics.com)

### Technical Support

If you need any assistance to get your unit functioning properly, please have your product information ready and contact Addonics Technical Support at:

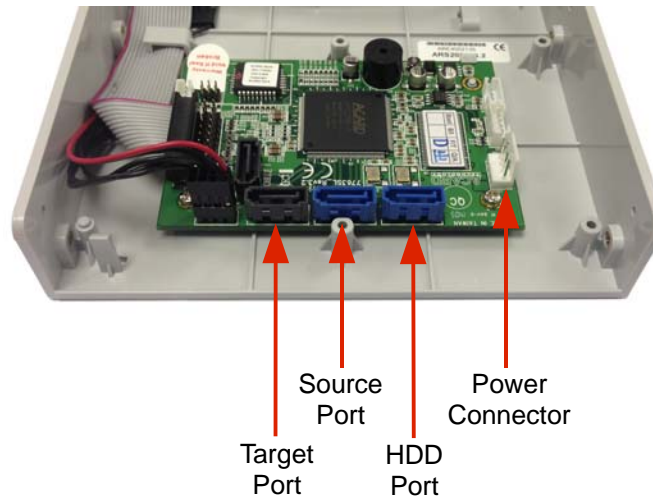
**Hours: 8:30 am - 6:00 pm PST**

**Phone: 408-453-6212**

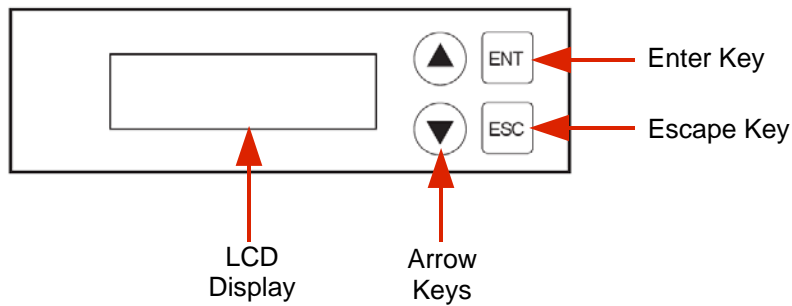
**Email: <http://www.addonics.com/support/query/>**

# Overview

## Connectors



## Front Panel



Arrow Keys are used to navigate menus or select options.

Enter Key is used for Executing a function or confirm an option.

Escape Key is used for canceling a selection, or while a function is in progress, holding it for two seconds will cancel that function. Holding the Escape Key on a menu will enable access to the Advanced Setup Menu.

## Power On Sequence

When first powered on, the duplicator subassembly will perform self-tests and wait for a delay period to allow drives to become ready. After this it will scan ports for drives, then display the default menu option (factory set to COPY).

## Duplicator Functions

The duplicator has six menu sections: The Main menu, Image, Edit Track, Lightscribe, Setup Options and Advanced Setup. Advanced Setup Options is accessed through the Main menu.

Advanced Setup is accessed by holding the ESC button from any other menu until the unit beeps.

## Using the Hard Disk Port

The hard disk must be formatted by the Duplicator Controller itself and contains a list of images that have been captured.

After the drive is formatted, enter Main Menu option 8, Select Source. Use the arrow keys until it shows "Src: HDD." See the Image Menu options listed below for functions using the internal hard disk.

## Main Menu

### 1. Copy

Copies from the source to the target drives. Rewritable media may be used for targets; however, all existing data will be erased before proceeding with the copy operation. Insert all discs and wait for the drives to settle before pressing ENT. When complete, elapsed time will be displayed as well as the number of OK copies made. Discs copied OK will be ejected automatically.

### 2. Test

Simulates copy process. Function is identical to Copy without actually writing source data to target discs. Rewritable media may be used; however, all data will be erased before Test process proceeds with simulation. Testing is not supported for DVD+R media.

### 3. Test & Copy

Performs Test function followed by Copy function. Testing is not supported for DVD+R media.

### 4. Verify

Confirms all target discs are readable.

### 5. Compare

Confirms all data on target discs as identical to source disc. Results are: OK for identical data, FAIL indicates target Table Of Contents does not match or too many mismatches occurred, and DIFF will show number of targets that are different.

### 6. Prescan

Confirms source disc is entirely readable without error.

### 7. Disc Info

Detect and report disc type and capacity.

### 8. Select Source

Allows selection of source drive. Default is CH01, which is the top unit on this duplicator. Selecting HDD is not supported on this duplicator. Leaving this set to CH01 is strongly recommended.

## 9. Image

Manage the hard disk and data used as a source instead of the SOURCE drive.

**NOTE: All Image menu options show the currently selected “Partition” (image) on the top line.**

### 9-01. Load

Read a disc from the currently selected Image Source drive and write it to the current Partition.

### 9-02. Delete Image

Deletes the currently selected Partition from the internal hard disk. Top line asks for confirmation, bottom line shows the currently selected Partition, what kind of image it is, and its size.

### 9-03. Image Info

Displays basic information about the currently selected Partition data. First line is the media type the image was captured from, second line shows the size.

### 9-04. Compare Image

Compares the data in the currently selected Partition to the disc in the currently selected Image Source Drive. After Compare, output is OK meaning compare was good, Fail meaning an error occurred, or Diff meaning the data did not compare as identical.

### 9-05. Select Image

Defines the currently selected Partition for use with the imaging operations. While selecting, display shows Partition label (A, B, etc.), type of media and size, or will show “No Image in (Partition)”. To create a new image, select a Partition that has no Image, then use the Load function.

### 9-06. Image Src Drive

Defines the currently selected image source drive. Will list all detected optical drives.

### 9-07. ImageFormat Info

Displays type of image. Currently only F\_S is supported or displayed.

## 10. Edit Track

The Edit Track feature is used for collecting individual tracks from one or more audio CDs and merging them to create target discs with the custom collection.

### 10-01. CD to CD Edit

Entering this function will display each track on the LCD, use arrow keys to change tracks, press ENT to select or deselect a track. Selected tracks will display a “+”. When all desired tracks are selected, use arrow keys until “End” appears then press ENT. After confirming the selection, the duplicator will burn the selected tracks to the target media. When complete, press ENT and the duplicator will ask if you want to continue. Selecting “Yes” will eject the source disc and prompt for the next source, then return to track selection. Selecting “No” will respond with “Close all discs’ session?” to confirm finalizing target media. When target media sessions are closed, no further tracks may be added. If target media is not closed, more tracks may be added later; however, the discs may not be playable on all CD players.

### 10-02. CD to HDD Edit

Creates a disk image on a Hard Disk with a collection of audio tracks from one or more Audio CDs. This feature is not supported on this duplicator.

### 10-03. Play Audio Track

This feature is not supported for this duplicator.

#### **10-04. Close Session**

Manually closes the last session on target Audio CDs. Target media will no longer be able to add more tracks. Closing the final session on Audio CDs is recommended for best compatibility with audio CD players.

### **11. Setup Menu**

Allows changes to the following default settings:

#### **11-01. Language**

Selects language used for menus.

#### **11-02. CD Burn Speed**

Sets the maximum speed for burning CDR or CDRW media. Default setting is Maximum, other choices include modes offered by the detected TARGET drive, or Auto.

#### **11-03. B/DVD Burn Speed**

Sets the maximum speed for burning Blu-Ray or DVD media. Default setting is Maximum, other choices are modes offered by the detected TARGET drive.

#### **11-04. Read Speed**

Sets the maximum speed for reading the source disc. Default is Maximum.

#### **11-05. Auto Start Drive**

When set to ON, duplicator will automatically begin the Copy function as soon as a blank target media is detected. Default setting is OFF.

#### **11-06. Startup Menu**

Sets the menu that will appear after the duplicator is finished initializing after power up.

#### **11-07. Auto Verify**

When set to ON, the Copy function will be followed by a Verify function automatically to confirm the target media is readable. Default setting is OFF.

#### **11-08. Auto Compare**

When set to ON, the Copy function will be followed by a Compare function automatically to confirm target media is identical to the source. Default setting is OFF.

#### **11-09. Auto Prescan**

When set to ON, the Copy function will start with a Prescan Source function to confirm the source media is completely readable without errors. Default setting is OFF.

#### **11-10. Eject Disc**

Sets the eject behavior of drive trays after targets finish burning. Eject Good Only will eject discs that are considered OK, discs considered to have failed to copy correctly are not ejected. Eject All Disc will eject all discs regardless of copy success, and Do Not Eject will not eject any discs. Default setting is Eject Good Only.

#### **11-11. Burn On The Fly**

When set to On, data will be copied directly from the source disc to target media. When set to OFF, a temporary image file will be created on a hard disc before burning target media, then discarded after the process is complete. Default setting is ON. Setting Burn On The Fly to OFF is not supported with this duplicator.

#### **11-12 Burn Mode**

Sets style of burning for Audio CDs. DAO (Disc At Once) burns the entire media without stopping. TAO (Track At Once) burns each audio track individually. Default setting is DAO.

### **11-13. Display Time**

When set to ON, unit will display a timer during copy operations. Default setting is ON.

### **11-14. Button Sound**

When set to ON, unit will emit a beep sound whenever keys are pressed. Default setting is ON.

### **11-15. Device Info**

Displays details about each drive unit.

### **11-16. System Info**

Displays details about the duplicator.

### **11-17. Quick Erase**

Erases file system on all rewritable media detected.

### **11-18. Full Erase**

Erases all data on all rewritable media detected.

## **12. USB Mode**

This feature is not supported for this duplicator.

## **13. eSATA Mode**

This feature is not supported for this duplicator.

## **14. Advanced Setup Menu**

Allows changes to advanced default settings. Making changes to these settings is not recommended.

### **14-01. UnderRun Protect**

When set to ON, duplicator will protect against buffer underrun conditions while burning targets. Default setting is ON.

### **14-02. Overburn**

When set to ON, the duplicator will attempt to burn past physical limit of media for very full discs. Caution: enabling Overburn may cause hardware damage to the drives.

### **14-03. Read Error Skip**

When set to ON, duplicator will ignore read errors while reading the source disk during Copy function. Data written to targets for sectors that caused read errors will be unpredictable and the Compare function will show differences.

### **14-04. Format HDD**

Prepares a hard disk for use with imaging and editing functions.

### **14-05. Verify HDD**

Confirms a hard disk is properly prepared for use with the imaging and editing functions.

### **14-06. Burn-in**

Repeats one of three tests a set number of times, or indefinitely: Test function, Erase & Copy function (supports rewritable media only), and Compare function.

### **14-07. Update Firmware**

Used to apply new firmware to the Duplicator subsystem. Insert a CD-RW disc containing the new firmware and press ENT. The duplicator will search for the correct file and apply it if found.

**14-08. Compare Firmware**

Used to confirm Duplicator subsystem's firmware matches a file. Insert a CD-RW disc containing the firmware and press ENT. The duplicator will search for the correct file and if found, compare its firmware against the file.

**14-09. H/W Diagnostic**

Performs a series of tests on the duplicator subsystem hardware.

**14-10. Load Default**

Changes all configuration settings to their default setting.

**14-11. CD+G**

When set to ON, enables copying of CD+G (Compact Disc + Graphics) formatted media. Default setting is OFF.

**14-12. ISRC & MCN**

When set to ON, duplicator will copy ISRC and MCN encoding for Audio CDs. Default setting is OFF.

**14-13. CD Text**

When set to ON, the duplicator will also copy CD-Text information.

**14-14. Link Option**

Enables the "USB Mode" and "eSATA Mode" features. While it is enabled by default, this feature is not supported for this duplicator.

**14-15. USB Auto-Link**

This feature is not supported for this duplicator.

**14-16. Use Big Block**

The default setting is ON. When enabled, the duplicator will utilize internal resources more efficiently to increase copy speed.

## Contact Us

---

**[www.addonics.com](http://www.addonics.com)**

**Phone: 408-573-8580**

**Fax: 408-573-8588**

**Email: <http://www.addonics.com/sales/query/>**