

User Guide

Ruby Drive Cartridge System (RDCSSAES / RDCSSAEU)

www.addonics.com

v7.1.11

Technical Support

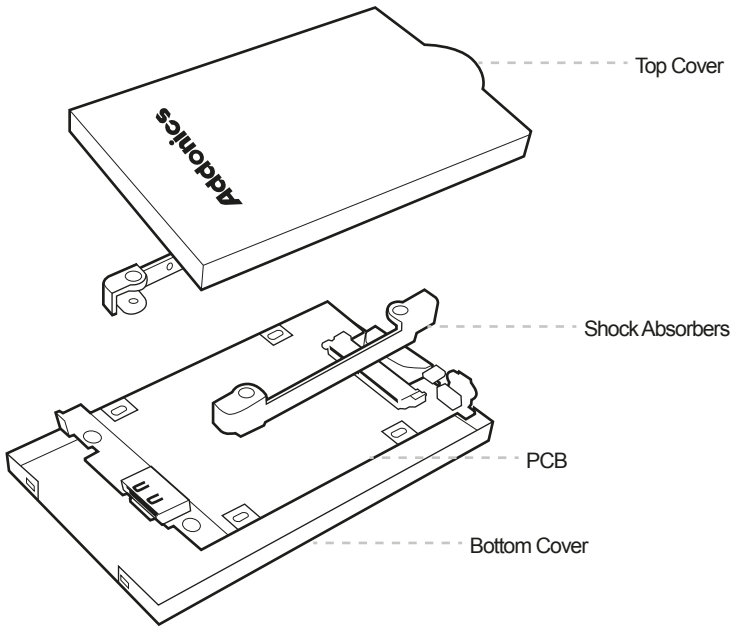
If you need any assistance to get your unit functioning properly, please have your product information ready and contact Addonics Technical Support at:

Hours: 8:30 am - 6:00 pm PST

Phone: 408-453-6212

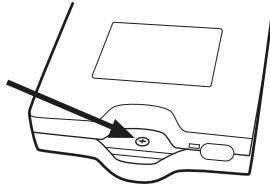
Email: <http://www.addonics.com/support/query/>

Enclosure Overview



Step 1

Separate the top from the bottom cover of the drive enclosure by loosening the screw.



Step 2

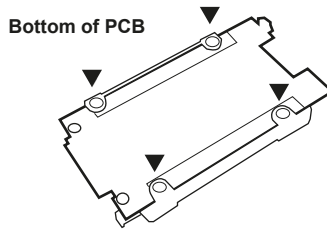
Align the SATA connector in the 2.5" hard drive with the SATA connector on the PCB.

Step 3

Wrap the shock absorbers around the hard drive and PCB.

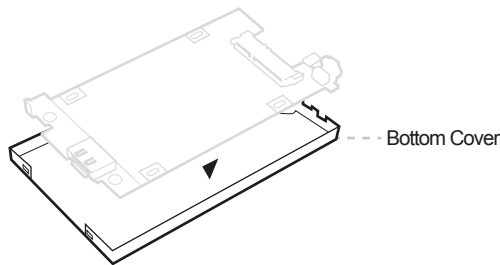
Step 4

Turn over the PCB and secure the hard drive to the PCB with the mounting screws that come with the kit.



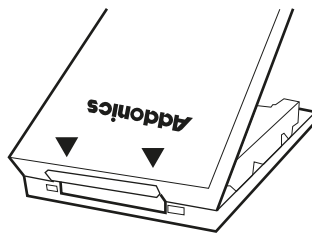
Step 5

Mount the board to the bottom cover.



Step 6

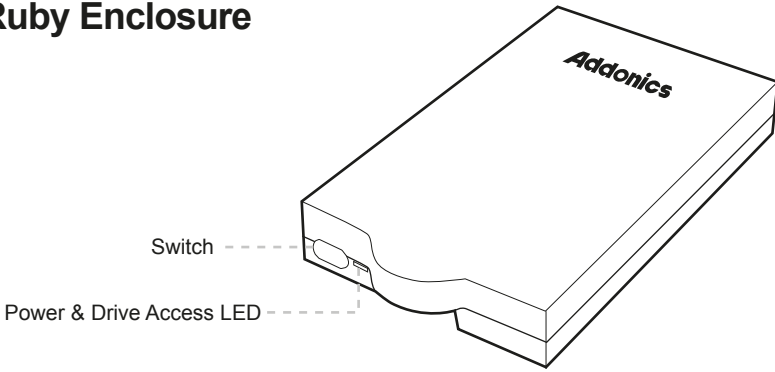
Put the top cover on by holding it in near vertical position and sliding the two metal clips inside the two small slots on the rear of the bottom cover.



Step 7

Lower the front of the top cover and making sure the two covers lined up properly. Tighten the small retaining screw on the front of the bottom cover to close the enclosure.

Ruby Enclosure



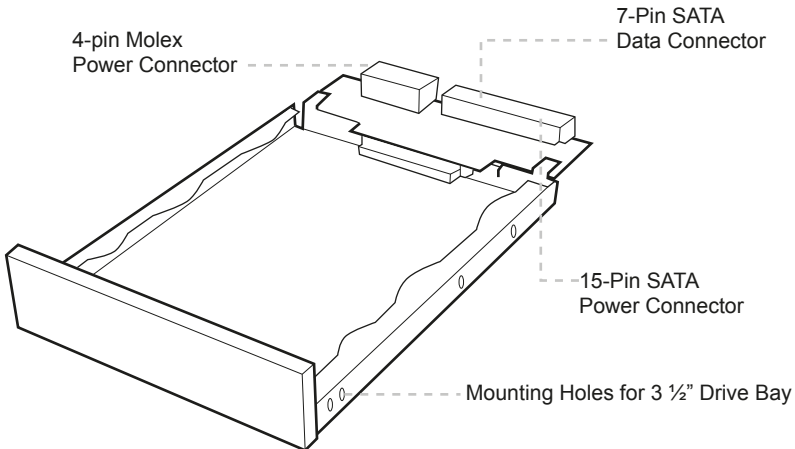
Switch:

INT: This mode is used when the enclosure is placed inside a drive cradle. For drive cartridge system kits, this is the mode used.

EXT: This mode is used if the enclosure is used as an external hard drive.

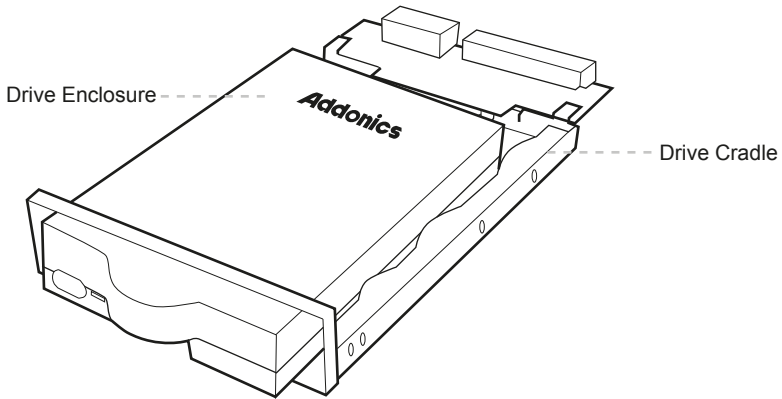
Ruby Drive Cradle

Note: You can only use one power connector at a time. Either use the 4-pin Molex or 15-pin SATA connector but do not simultaneously use them.



Model: RDCSSAES

*Note: The Ruby Drive Cartridge System with the SATA interface must be connected to a SATA controller with hot swap capability in order to add and remove drive cartridge without rebooting. Please consult your motherboard or the add-in card manufacturer to determine hot swap support on your SATA controller. All of the Addonics SATA Host Controllers are hot swap capable.



Step 1

Connect a SATA cable to the 7-pin SATA data connector to the SATA interface of the cradle.

Step 2

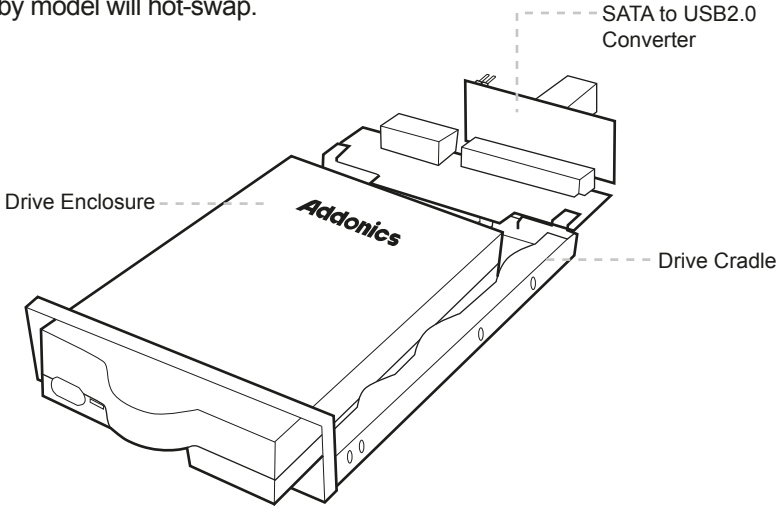
Connect a 15-pin SATA power cable from your system's power supply to the SATA interface of the cradle. This power connection provides power to the ruby drive cartridge system.

Step 3

Slide the Ruby enclosure inside the cradle. To turn ON the drive enclosure, place switch on INT position.

Model: RDCSSAEU

This Ruby model will hot-swap.

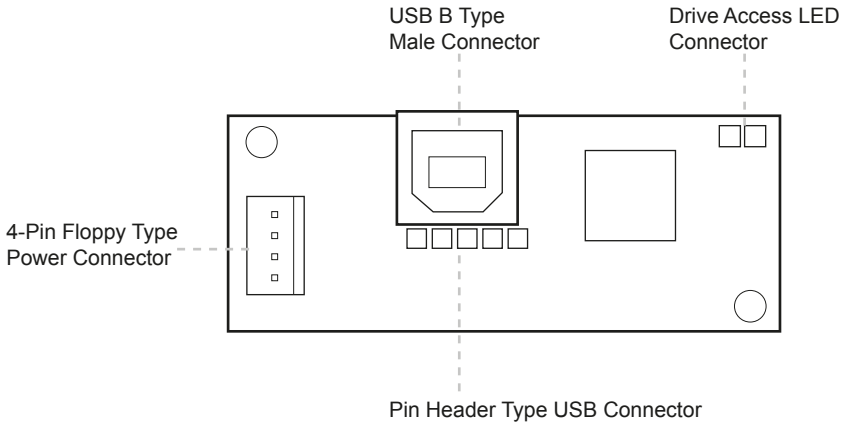


Step 1

Connect the SATA to USB2.0 converter to the SATA interface of the cradle.

Step 2

Connect the Y-cable that came with converter to the 4-pin floppy connector on the converter. The other end would connect to your system's power supply. This power connection provides power to both converter and the ruby drive cartridge system.



Step 3

For data connection, you can either use the USB pin header cable to connect from the pin-header type USB connector on the converter to the USB pin-header on the motherboard. Or connect to the USB B type male connector on the converter to an internal USB port.

Step 4

Slide the Ruby enclosure inside the cradle. To turn ON the drive enclosure, place switch on INT position.

CONTACT US

www.addonics.com

Phone: 408-573-8580

Fax: 408-573-8588

Email: <http://www.addonics.com/sales/query/>