

User Guide

Storage Tower III (ST3)

www.addonics.com

v7.1.11

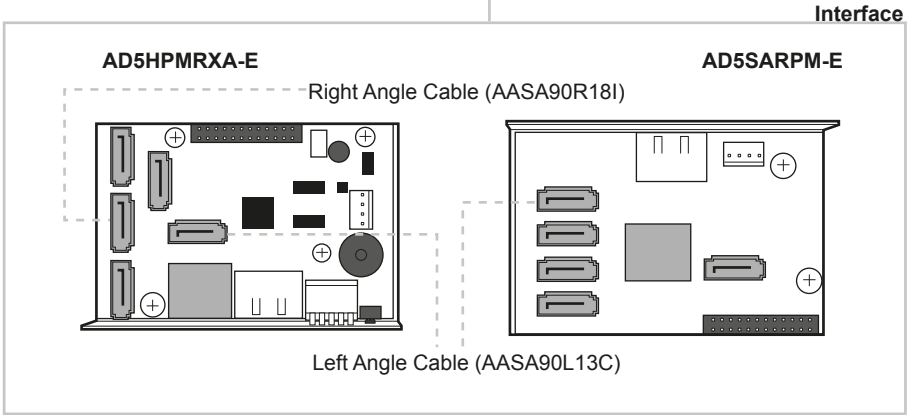
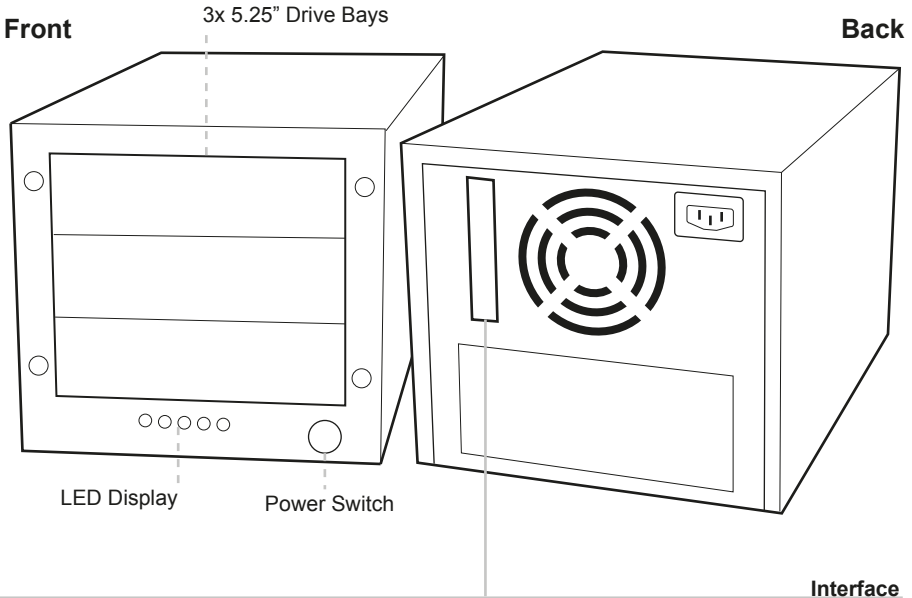
Technical Support

If you need any assistance to get your unit functioning properly, please have your product information ready and contact Addonics Technical Support at:

Hours: 8:30 am - 6:00 pm PST

Phone: 408-453-6212

Email: <http://www.addonics.com/support/query/>



Due to the size constraints of the RAID Tower III, if you are installing these interfaces, special SATA cables are required other than the standard SATA cables (AD5HMPRXA-E uses AASAIDC81, AD5SARPM-E uses AASA90L18I)

CONTACT US

www.addonics.com

Phone: 408-573-8580

Fax: 408-573-8588

Email: <http://www.addonics.com/sales/query/>