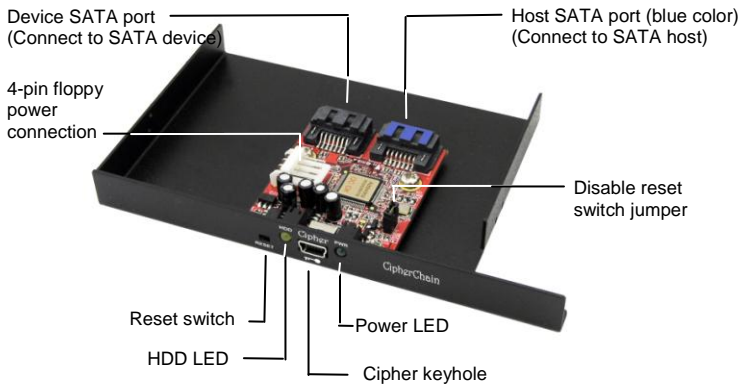


ADDONICS TECHNOLOGIES

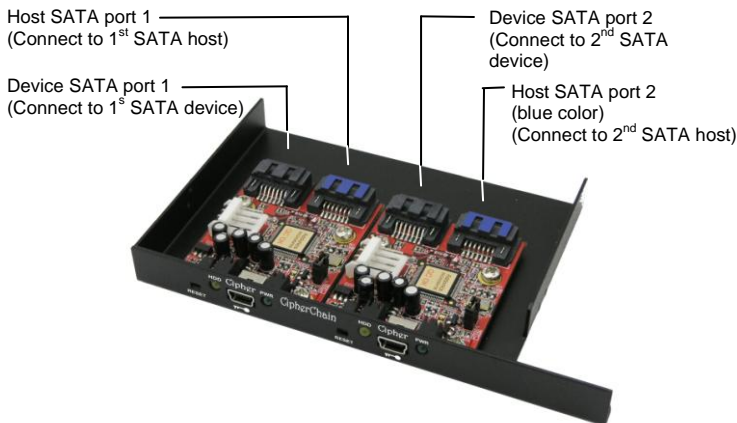
Model: CCMSCD1 & CCMSCD2

Single CipherChain (CCMSCD1)

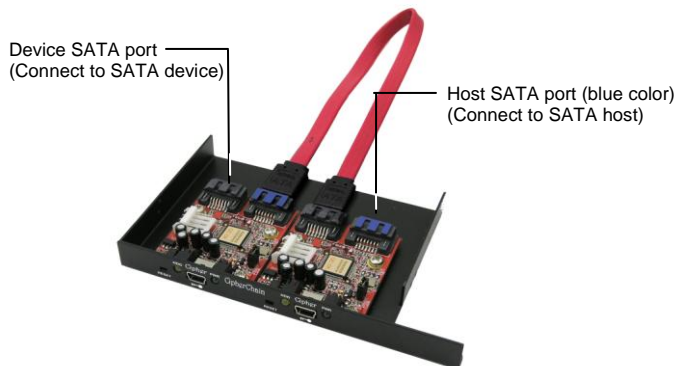


Dual CipherChain (CCMSCD2)

1. For two SATA devices



2. For daisy-chaining to increase encryption security



Note: The cipher keys for the two CipherChains can be of same or different code.

Disable reset switch jumper – By default, CipherChain reset switch is enabled. To disable reset, remove the jumper. Disabling the reset switch is recommended if the CipherChain is connected to a boot drive or non-hotswap SATA controller card.

Reset switch – Under certain applications, the RESET button enables the adding and removing of hard drives without restarting the system. Following is an example of such an application:

- When the CipherChain is connecting a removable drive system to a SATA port that supports hot swap, the drive can be removed without powering off the computer. However the drive icon will still be there as the system does not realize a hard drive is removed from the system. In addition, the key code still resides inside the CipherChain. Resetting will turn off the CipherChain, clear the key

code and remove the drive icon. We recommend resetting the CipherChain whenever a hard drive is removed from a system to ensure better security.

- Likewise when a new hard drive is added to a removable drive system. The CipherChain can be initialized again by pressing the RESET button while with the Cipher key inserted. Note that if the new hard drive is not encrypted or the Cipher key does not match what is on the encrypted hard drive, it will show up as an unallocated drive under the drive management screen and no drive icon will show up in My Computer folder. So it is very important to make sure that the correct Cipher key is used on the hard drive. **Proceeding to initialize the hard drive will erase all the data beyond any possibility of recovery.**

Green Power LED: In order to turn on the power to the CipherChain, the cipher key must be inserted prior to power on the system or resetting the CipherChain. If the power LED does not light up, the system will not detect the hard drive connected to the CipherChain.

Yellow Power LED: Lights up when there is drive activity.

Basic Hardware Installation

- Mount the CipherChain into the slim CD drive bay on the PC case.
- Using the provided floppy Y-power cable connect the CipherChain 4-pin floppy power connector to the system's power supply.
- Connect the SATA hard drive or storage device to the Device SATA port on the CipherChain using a SATA cable. Remember to connect power to the storage device.
- Connect the Host SATA port (port with Blue color) on the CipherChain to the onboard SATA port of the motherboard or an add-in SATA controller card using a SATA cable.

How to operate the CipherChain:

Note: Hot swapping refers to the ability to plug and unplug the component without rebooting.

- Insert the AES 256-bit cipher key into the cipher keyhole on the CipherChain.
- For SATA port that supports hotswap.
Power on the CipherChain and SATA storage device at the same time or turn on storage device first before the CipherChain. For SATA port that does not support hotswap.
Power on the CipherChain and SATA storage device at the same time.
- Observed that the green Power LED should light up. If it does not, re-insert the cipher key and re-power the devices or reset the CipherChain.
- For new drive, go to the operating system's management utility to partition, format and mount the encrypted drive.
- Go to File Manager and view the encrypted drive.

Note: You may remove the cipher key from the CipherChain once the CipherChain is powered on. All the files being transferred into the drive are still encrypted even if the cipher key is removed.

Best Practices:

- Create a label to identify the SATA storage device and the Cipher key used to encrypt the device.
- Always keep a spare master key in a safe place.

For additional information about the CipherChain, refer to the CipherChain manual on the CD or download a copy from www.addonics.com

TECHNICAL SUPPORT

Phone: 408-453-6212
Hours: 8:30 am - 6:00 pm PST
Email: <http://www.addonics.com/support/query/>