

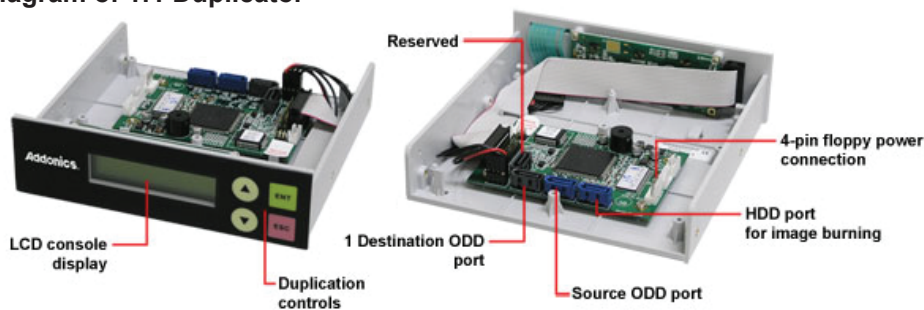
## INTRODUCTION

The Addonics family of Blu-Ray / DVD / CD duplicator subsystems provides a simple fast copying solution without using a computer. Any Blu-Ray, DVD or CD disc can be easily duplicated. There is a choice of four models to offer duplication of 1 copy, 3 copies, 7 copies or 11 copies at one time depending on your volume requirement. It is an ideal solution for small to large volume content distribution in Blu-Ray, DVD or CD media. Designed to install into standard 5 1/4" drive bay of any computer chassis and be powered by a standard PC power supply, you can custom build your own optical drive duplicator solution utilizing one of the Addonics storage towers or your choice of computer chassis.

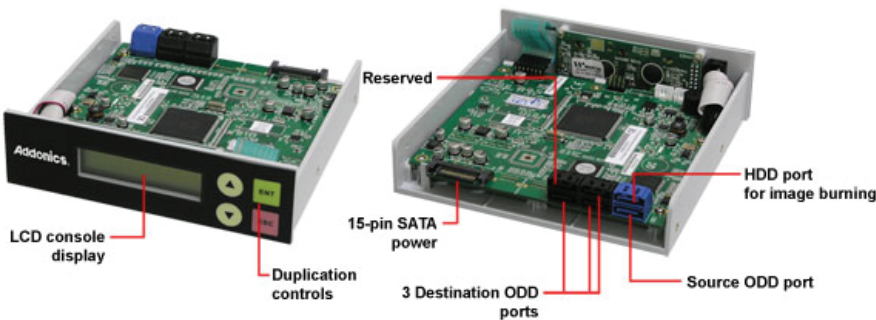
## 1:1 BR/DVD DUPLICATOR



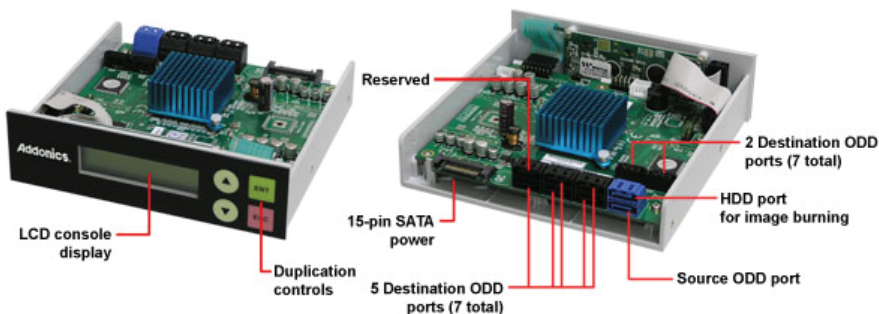
### Diagram of 1:1 Duplicator



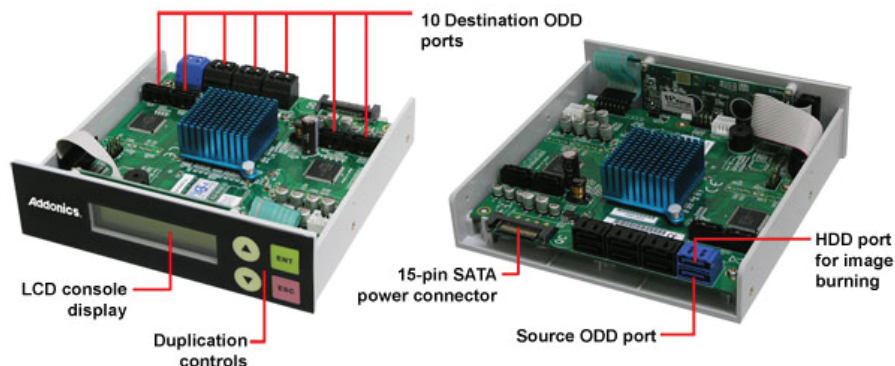
### Diagram of 1:3 Duplicator



### Diagram of 1:7 Duplicator



### Diagram of 1:9 Duplicator



For our family of the turn key solutions, please visit the Addonics Blu-Ray /DVD Duplicator page

## FEATURES

- Choice of models for 1 to 11, 1 to 7, 1 to 3, or 1 to 1 Blu-Ray/DVD duplicator
- Install into any 5 1/4" drive bay
- Standard SATA ports for connecting the source drive and destination drive
- Choice of models with mixed Blu-Ray/DVD combo and DVD-RRW drives or customize your own combination
- Operates as stand alone appliance. No computer required
- User-friendly interface and intuitive message display on the LCM control module
- Support the fastest high speed Blu-Ray / DVD / CD drive for maximum throughput
- Support copying\* of Blu-Ray, CD, DVD, DVD dual layer
- High-speed simultaneous recording
- Copy per cycle completes in as little as 6 minutes or less for a 4.5G DVD source image when copying onto 16X DVD media.
- Hard Drive SATA port for attaching an optional 3.5" or 2.5" SATA hard drive to use as the source drive for storing disk images (.ISO format). When using the SATA hard drive as the source drive, all optical drives in the unit can be used as target drives to increase copying capacity
- Edit track feature collects audio tracks on a number of CDs and merges them onto a single CD compilation (or a partition on the optional external SATA hard drive)
- LCM control module provides a rich set of robust advanced configuration options accessible via the
  - Configure burn speed
  - Auto verify/compare/prescan
  - Burn on the fly (or copy to hard drive first)
  - Disk At Once or Track At Once burn modes
  - DVD disc full/quick erase
- firmware update using DVD-ROM disc

\* Actual transfer rate depends on the speed of the source and destination drive

### SPECIFICATIONS

- Writing mode : Sector to Sector
- LCD display with functional control panel
- 8MB SDRAM for data buffer
- 2 independent SATA interface channels on **DDUSAS**
- 4 independent SATA interface channels on **DDU3SAS**
- 8 independent SATA interface channels on **DDU7SAS**
- 12 independent SATA interface channels on **DDU12SAS**
- Support Device : SATA Blu-Ray / DVD / CD drive, SATA hard drive (for image burning)
- Power Source : 4-pin floppy power connector, 4-pin molex power connector, or 15-pin SATA power connector depending on model
- Dimensions: All models are 145mm (W) × 42mm (H) × 144mm (D)
- Weight:
  - **DDUSAS**: 200g (7.1 oz)
  - **DDU3SAS**: 236g (8.3 oz)
  - **DDU7SAS**: 297g (10.5 oz)
  - **DDU11SAS**: 276g (9.8 oz)
- Operating temperature and humidity: 0 - 60 degree C, 15% - 90% RH
- Storage temperature and humidity: (- 20) - 65 degree C, 5% - 95% RH non-condensing

Specification subject to change without notice