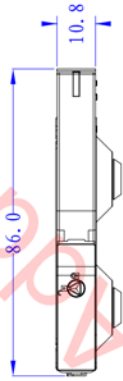
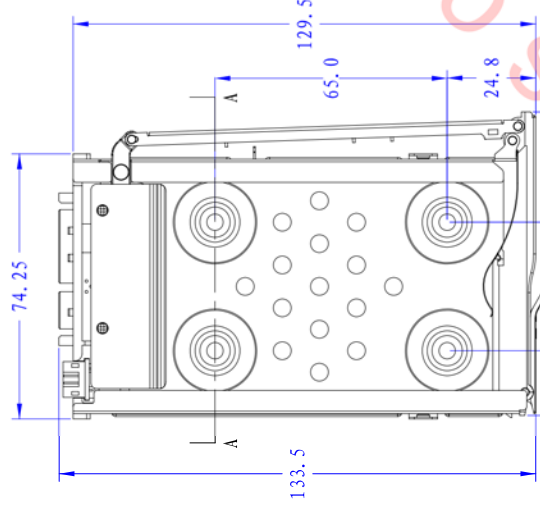
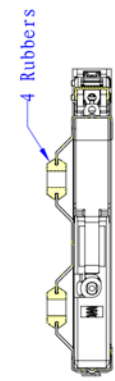
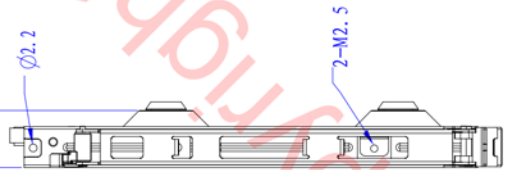
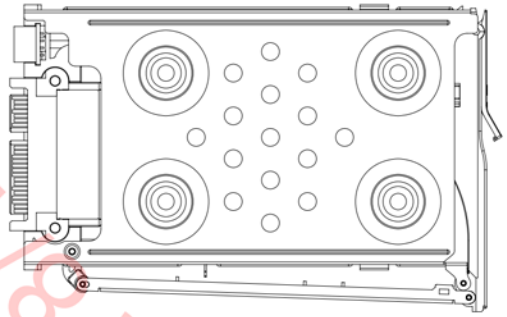
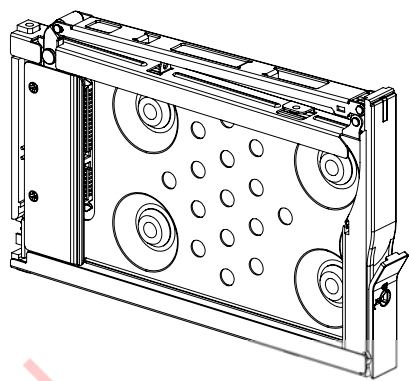


Rev:	Type	Description	Appr'd
A	Release	Initial release	May 31 2012



APPROVED BY:		ADDONICS TECHNOLOGIES, INC.
CHECKED BY:		
DRAWING BY:	Ripple-May 31 2012	TITLE:
MATERIAL:		PART NO:
FINISH:		DWG NO:
DO NOT SCALE DRAWING		PROJECTION:
SHEET 1 OF 1	SIZE: A4	UNIT: MM
	SCALE: 1:1	REV: A