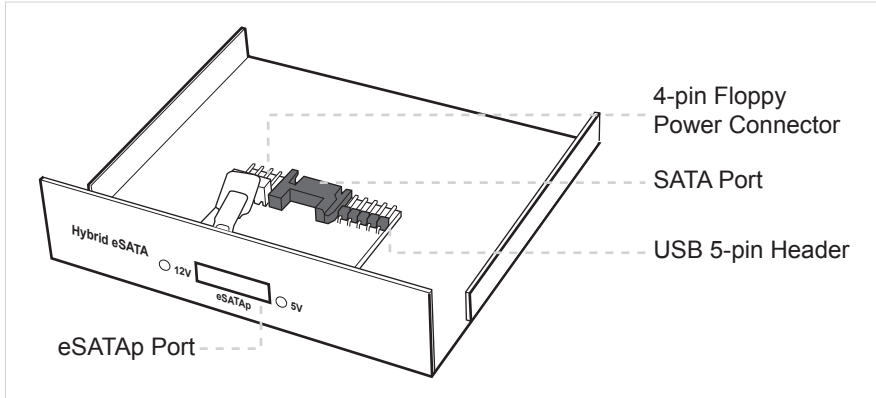


### AAESP1235MK



### Installation:

1. Mount the Hybrid Port converter on a 3.5" drive bay.
2. To provide power, connect a 4-pin floppy power cable from the power supply to the 4-pin floppy power connector on the converter.
3. Using a SATA data cable, connect one end to an onboard or add-in SATA controller card to the SATA port of the Hybrid Port converter.

**Note:** For the Hybrid Port converter to support hot swapping, it needs to be connected to an onboard or add-in SATA controller card that supports hot swapping.

4. Connect one end of the USB 5-pin header cable to the motherboard and the other end to the Hybrid Port converter.

### Technical Support

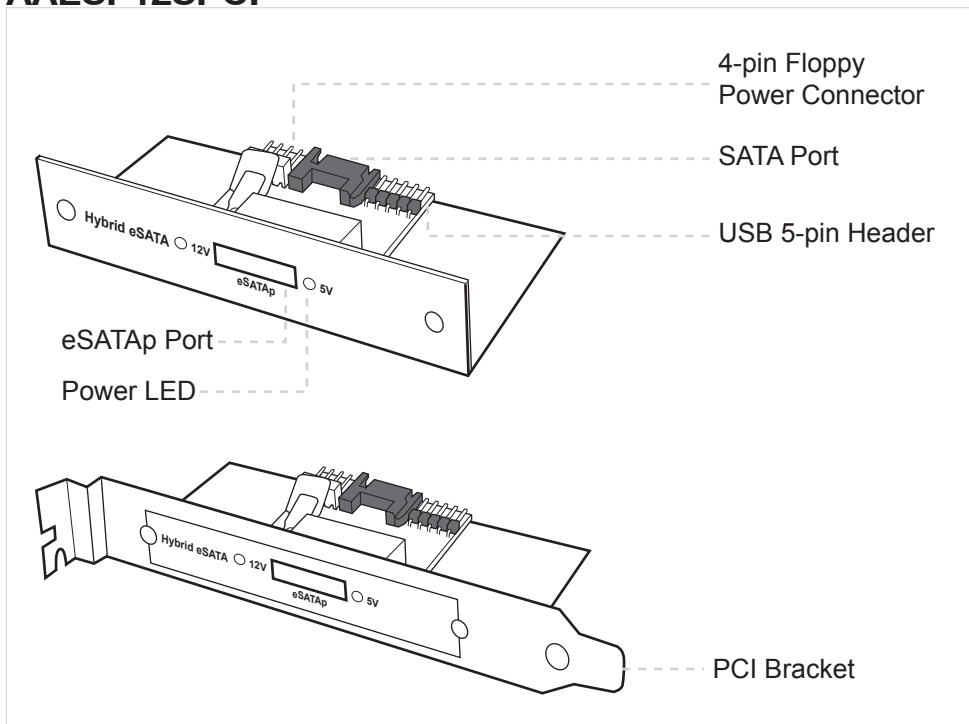
If you need any assistance to get your unit functioning properly, please have your product information ready and contact Addonics Technical Support at:

Hours: 8:30 am - 6:00 pm PST

Phone: 408-453-6212

Email: <http://www.addonics.com/support/query/>

# AAESP12SPCI



## Installation:

1. Mount the Hybrid Port converter on a SCSI1 or PCI.

For mounting the Hybrid Port converter on a PCI, screw the provided PCI bracket to the SCSI1 bracket.

2. To provide power, connect a 4-pin floppy power cable from the power supply to the 4-pin floppy power connector on the converter.
3. Using a SATA data cable, connect one end to an onboard or add-in SATA controller card to the SATA port of the Hybrid Port converter.

**Note:** For the Hybrid Port converter to support hot swapping, it needs to be connected to an onboard or add-in SATA controller card that supports hot swapping.

4. Connect one end of the USB 5-pin header cable to the motherboard and the other end to the Hybrid Port converter.