

# User Guide

## CF Hard Drive Adapter (AD44MIDECF / AD44MIDE2CF)

[www.addonics.com](http://www.addonics.com)

v7.1.11

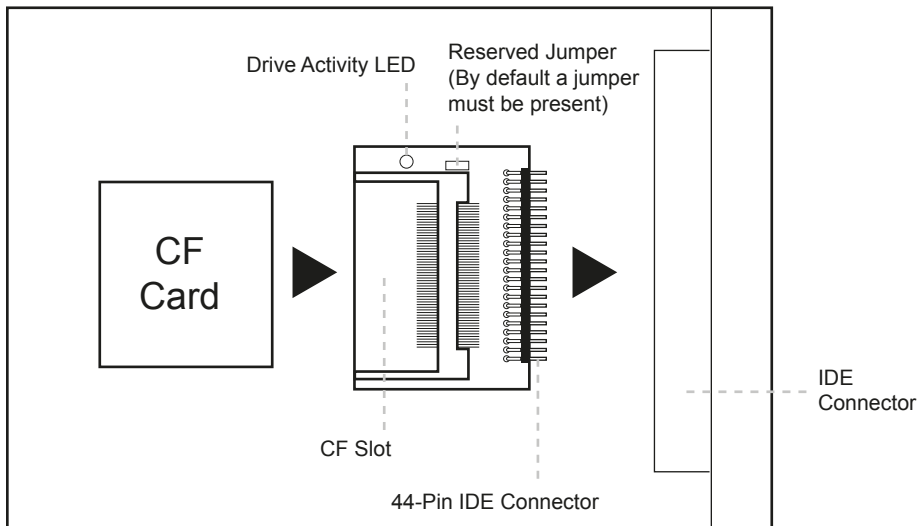
### Technical Support

If you need any assistance to get your unit functioning properly, please have your product information ready and contact Addonics Technical Support at:

**Hours: 8:30 am - 6:00 pm PST**

**Phone: 408-453-6212**

**Email: <http://www.addonics.com/support/query/>**



Media must be in the device during boot up. Media is not hot swappable

**Instructions on How to Boot Windows XP Off a Compact Flash Card can be found on our website**

#### **Hardware Installation on a Notebook:**

**Step 1:** Slide your Compact Flash card into the adapter.

**Step 2:** Take out the 2.5" hard drive of your notebook.

**Step 3:** Slide the CF- IDE adapter to the IDE connector of your laptop.

## CONTACT US

**www.addonics.com**

**Phone: 408-573-8580**

**Fax: 408-573-8588**

**Email: <http://www.addonics.com/sales/query/>**