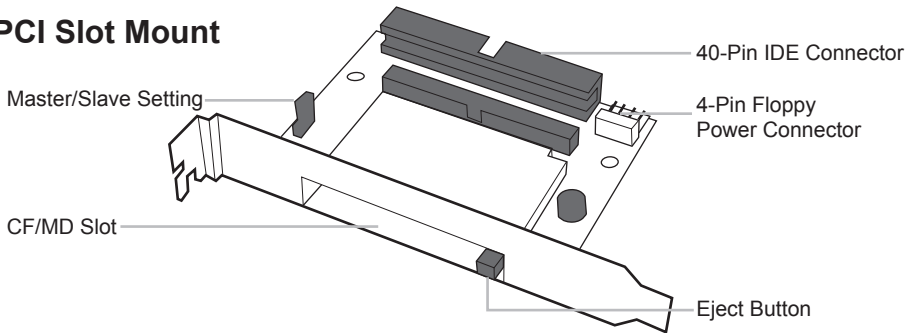
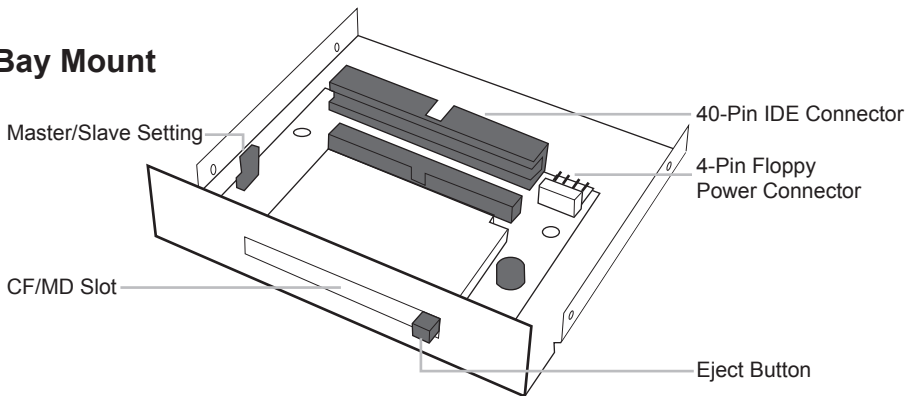


PCI Slot Mount



Bay Mount



Technical Support

If you need any assistance to get your unit functioning properly, please have your product information ready and contact Addonics Technical Support at:

Hours: 8:30 am - 6:00 pm PST

Phone: 408-453-6212

Email: <http://www.addonics.com/support/query/>

Addonics IDE/CF Converter Board is a converter solution for the IDE port to have CF card interface. It has a standard 40 pin or 44-pin IDE port, which can interface to IDE host side and 50-pin Compact Flash socket in device side.

This is a convenient interface that allows Compact Flash modules to be used in any system that has a standard IDE 40 pin or 44-pin connector.

Features

- 40 pin or 44 pin IDE standard Port
- Simple plug and play, no drivers required
- OS independent
- Support Compact Flash TM cards (Type I & II) or IBM Microdrive TM
- Transparent to the operating system and does not require any drivers
- The CF card can be the primary booting device containing the OS and application
- Mount in PCI slot or 3.5" drive bay.

Software Installation:

Step 1

Connect Y-type power cable to this Bridge board and PC Power Supply (Ignore this step when you use 44pin IDE connection which already have power input)

Step 2

Set jumper on IDE Master mode or Slave mode (J1 ON = Master, J1 OFF = Slave)

Step 3

Connect IDE connector to IDE host port or IDE flat cable

Important: IDE interface cannot support hot swap. When you insert or remove the CF card, power off your system.

CONTACT US

www.addonics.com

Phone: 408-573-8580

Fax: 408-573-8588

Email: <http://www.addonics.com/sales/query/>