

User Guide

NAS Storage Tower (NAST4SR5HPM-B)

www.addonics.com

v6.1.11

Technical Support

If you need any assistance to get your unit functioning properly, please have your product information ready and contact Addonics Technical Support at:

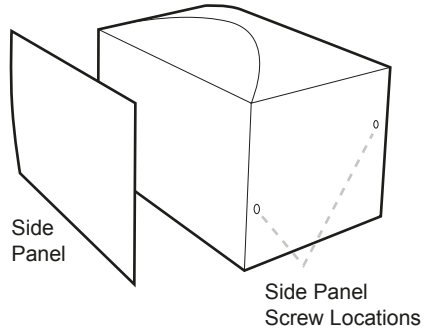
Hours: 8:30 am - 6:00 pm PST

Phone: 408-453-6212

Email: <http://www.addonics.com/support/query/>

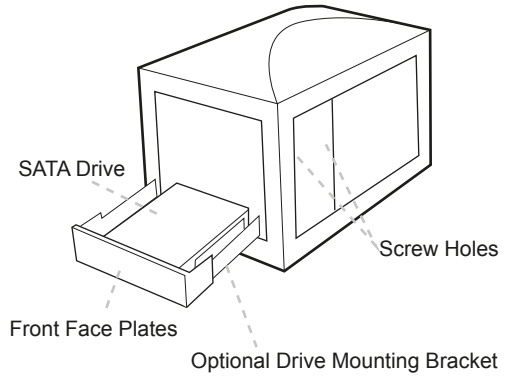
Removing Cover of Storage Tower

- Unscrew the side panel screws.
- Slide the side panel towards the backside then pull or lift to open.
- To remove the front face panels, unscrew 2 screws on opposite sides of the 5 ¼" drive bay on the tower



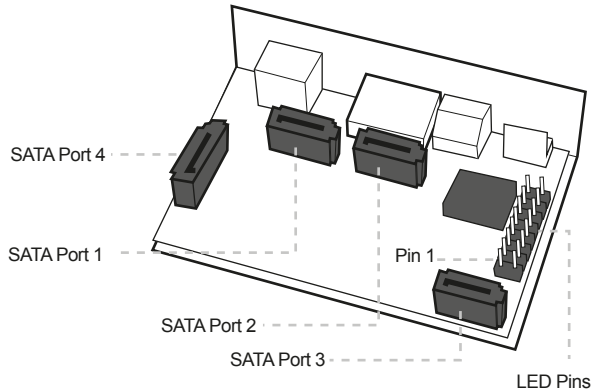
Installing drives into the Storage Tower

- Make sure that screws are placed for both sides of the mounting bracket to secure the drives.
- After installing the hard drive, attach the side panels back to the storage tower.



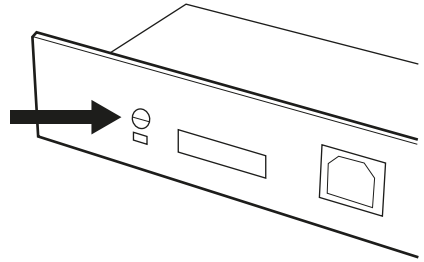
Setting RAID on the Hardware Port Multiplier (HPM)

-	+	eSATA Status
-	+	USB Status
-	+	PM Power
-	+	PM Health
-	+	HD3 PWR & Access
-	+	HD2 PWR & Access
-	+	HD1 PWR & Access
-	+	HD0 PWR & Access



1. Set the Rotary switch to the RAID mode required.
2. Push the RAID setting button with a ballpoint pen while the tower is turned off.

Note: Do not use paper clip or sharp object. Use a ballpoint pen to press the raid setting button.



3. While holding the RAID setting button, turn on the tower and continue to hold for at least 5 seconds.

Note: The LED's for SATA and USB will blink while pressing on the raid setting button. Once the button is release, the PM Health LED will blink for 4-6 times then stops. This indicates the raid was setup correctly. Otherwise, the PM Health LED will remain lit up indicating incorrect raid setup.

Instruction for Special RAID Modes:

BIG 2 - 2 Drives Spanned

- o Note: Do not connect more than 2 SATA drives to the HPM. Doing so will hang the system when you configure the raid.
- o For SATA drives with different capacities, the HPM will use the smallest drive capacity of the 2 drives connected to create the total partition size.

FAST 2 - 2 Drives Striped

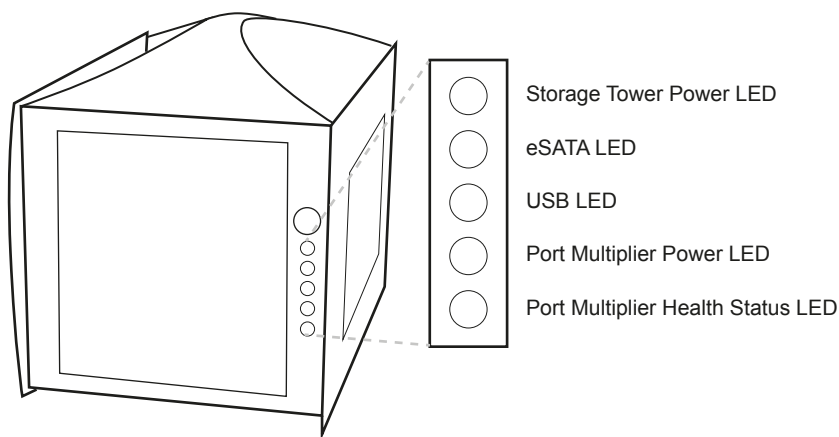
- o Note: Do not connect more than 2 SATA drives to the HPM. Doing so will hang the system when you configure the raid.

Verify RAID Setting on the HPM

Note: Disconnect the HPM from host when verifying the RAID setting. It is assumed that you have already connected the SATA drives and set up the raid mode when verifying the raid setting.

1. Turn on power for the tower.
2. Push the RAID setting button with the tool provided. Using the table below, verify if the LEDs are lighting up. The selected LEDs will light up for 2 seconds followed by a blink and cycles back.

RAID Mode	LEDs
BIG 2	LEDs 1, 2 & 4 all OFF
BIG 4	4 ON, 2 & 1 OFF
FAST 2	2 ON, 4 & 1 OFF
FAST 4	1 ON, 4 & 2 OFF
SAFE FAST	4 & 2 ON, 1 OFF
SAFE 2	4 & 1 ON, 2 OFF
RAID 5	2 & 1 ON, 4 OFF
RAID 5 + S	4, 2 & 1 all ON



Connecting the Power Cable and Storage Tower to the Computer

- Connect the power cord provided from the wall outlet to the back of the tower.
- Make sure the power is off (power LED light should be off).
- Connect the eSATA cable from the back of the tower to the eSATA port on the computer.

Power On/Off Control

- A main power switch is located at the back of the tower. Turn the switch on. Another auxiliary switch is located on the front of the tower.
- Make sure the power is off on the auxiliary switch (power LED light should be off).
- Power on the tower.