

User Guide

Internal UDD II (UDD2SA)

www.addonics.com

v7.1.11

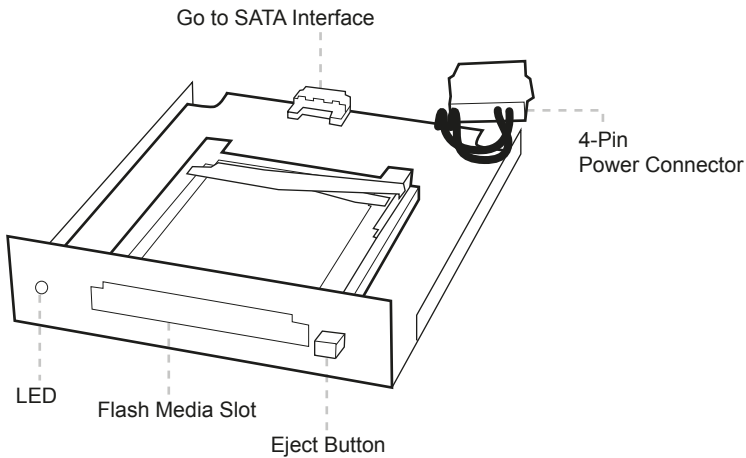
Technical Support

If you need any assistance to get your unit functioning properly, please have your product information ready and contact Addonics Technical Support at:

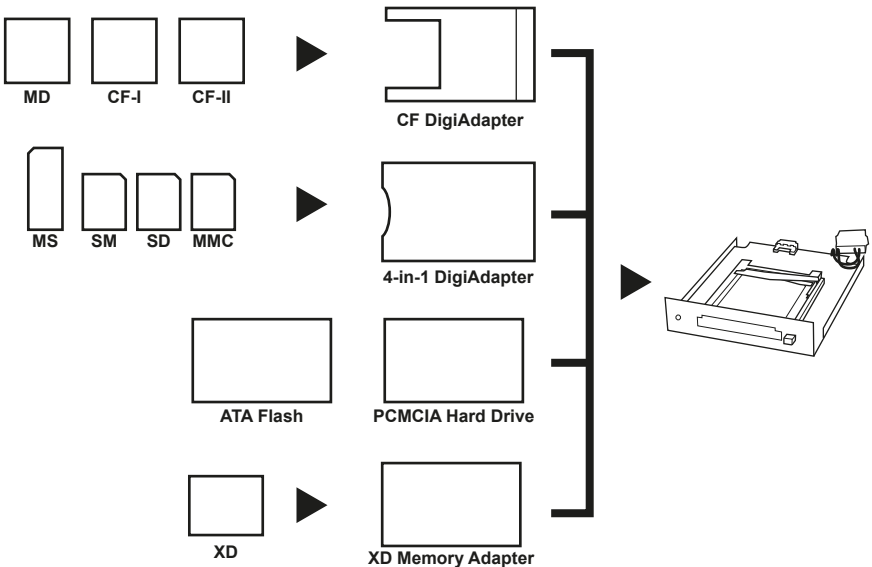
Hours: 8:30 am - 6:00 pm PST

Phone: 408-453-6212

Email: <http://www.addonics.com/support/query/>



This device is sized to fit into any standard 3.5" drive bay. Any flash media below is compatible to use with the Internal UDD II using the optional Addonics CF DigiAdapter and 4-in-1 DigiAdapter or equivalent third party adapter.



Note: The Internal UDD II is not compatible with Wireless Broadband card, SRAM card and Linear Memory card.

Operation of the Internal UDD II

1. Insert the media fully into the device using PCMCIA adapters and your operating system will report new hardware detected and begin to install the device. This may take a few seconds before a new drive icon appears in the My Computer folder. During this initialization, the LED light on the Internal UDD II toggles between red and green color; and will stay green once the computer recognizes the media.
2. Once the drive icon appears, the media is now ready and can be used like regular floppy media.
3. During the read / write operation, the LED light of the Internal UDD II will blink red.